

MODELS MRV003, MRV015, MRV040 AND MRV050 REVERSIBLE AIR MOTORS

Always operate, inspect and maintain this tool in accordance with American National Standards Institute Safety Code for Portable Air Tools (ANSI B186.1) and any other applicable safety codes and regulations.

FOR TOP PERFORMANCE AND MAXIMUM DURABILITY OF PARTS OPERATE THESE MOTORS ON 90 psig (6.2 bar/620 kPa) AIR PRESSURE.
USE 1/4" (6 mm) HOSE FOR MODEL MRV003.
USE 3/8" (9 mm) HOSE FOR MODEL MRV015.
USE 3/4" (19 mm) HOSE FOR MODELS MRV040 AND MRV050.

⚠ WARNING

Always turn off the air supply and disconnect the air supply before installing, removing or adjusting any accessory on these Motors, or before performing any maintenance on these Motors. Failure to do so could result in injury.

LUBRICATION

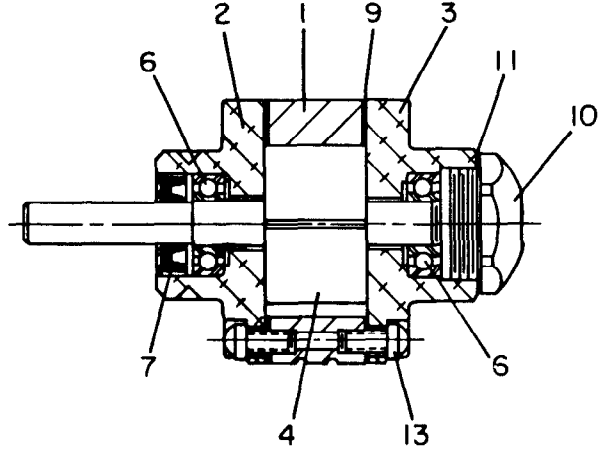
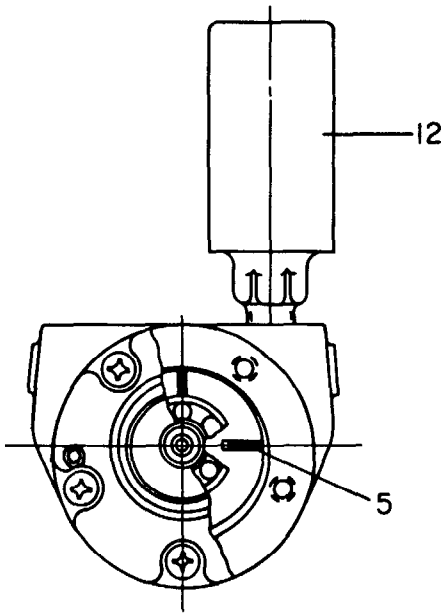
Always use an air line lubricator with these motors. Use a lubricator having an inlet and outlet at least as large as the inlet on the motor. Install the lubricator in the air line just ahead of the motor. Keep the lubricator filled with a high detergent SAE 10 motor oil. Adjust the lubricator to produce a slight oil mist in the exhaust.

NOTICE

The use of other than genuine Ingersoll-Rand replacement parts may result in decreased Motor performance and increased maintenance, and may invalidate all warranties.

For additional repair service information, request Service Bulletin S6626
from your Ingersoll-Rand Distributor or Sales Office.

MODEL MRV003



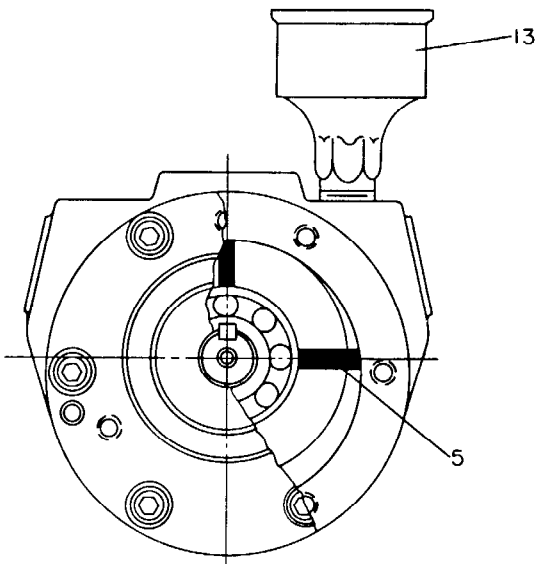
(Dwg. TPC465)

PART NUMBER FOR ORDERING

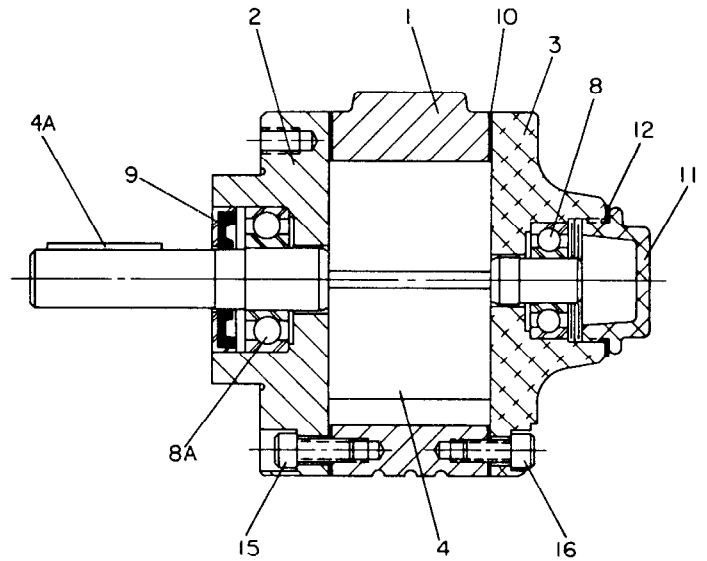
1	Cylinder	MRV003-AH642
2	Front End Plate	MRV003-AC520
3	Rear End Plate	MRV003-AC192
4	Rotor	MRV003-AC193
5	Vane (4)	MRV003-AC259A
6	Rotor Bearing (2)	MRV003-AG549
7	Rotor Shaft Seal	MRV003-AC190A
9	End Plate Gasket (2)	MRV003-AC527
10	Rear End Cap	MRV003-AC228A
11	End Cap Gasket	MRV003-AC229
12	Muffler Assembly	MRV003-AF350
*	Muffler Screen (2)	MRV003-AC984B
*	Muffler Felt	MRV003-AF344
*	Cam Ring (2)	MRV003-AC195
13	End Plate Cap Screw (10)	AF160-286
*	Mounting Foot	MRV003-AG587
*	Tune-up Kit (includes illustrated parts 5, 6, 7, 9, 11 and (2) non-illustrated part MRV003-AC195)	MRV003-TK1

* Not illustrated.

MODEL MRV015



(Dwg. TPC466-1)

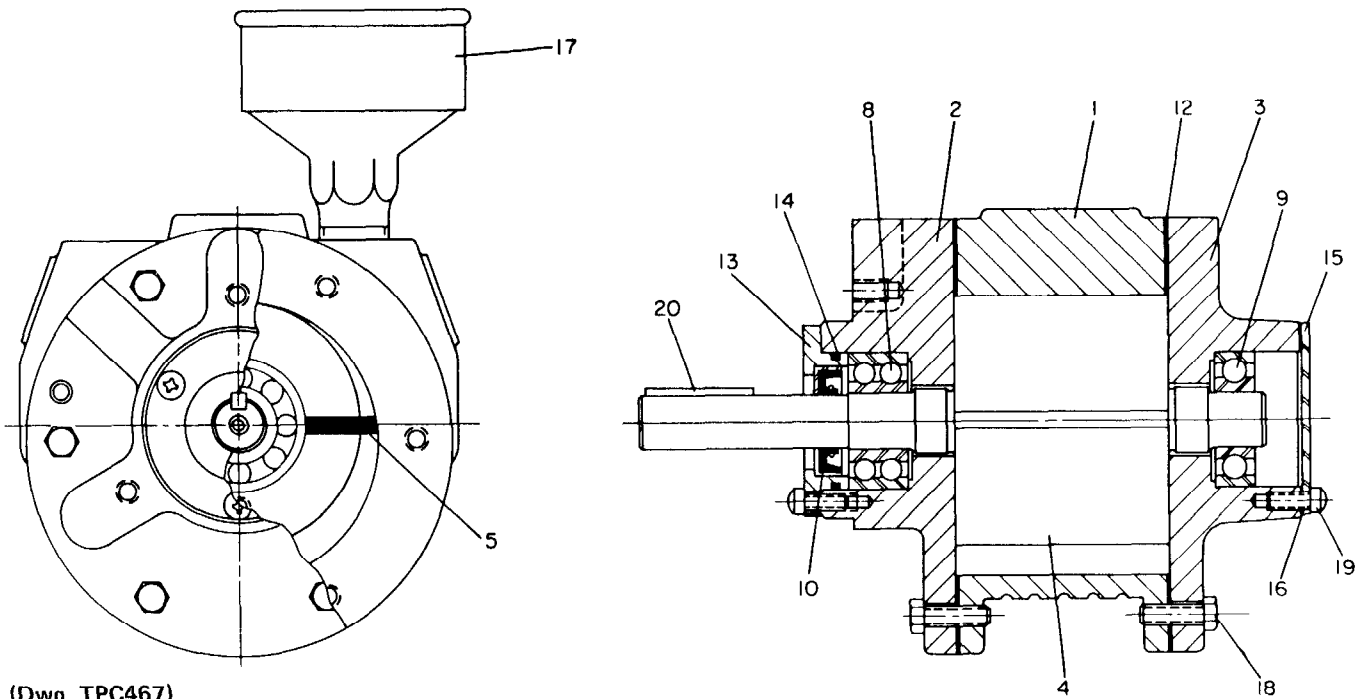


PART NUMBER FOR ORDERING

1	Cylinder	MRV015-AH632
2	Front End Plate	MRV015-AH631
3	Rear End Plate	MRV015-AC728
4	Rotor	MRV015-AM455A
4A	Drive Key	MRV015-AB136
5	Vane (4)	MRV015-AB876
*	Vane Spring (2)	MRV015-AM466
*	Vane Pin (4)	MRV015-AM467
8	Rear Bearing	MRV015-AA299J
8A	Front Rotor Bearing	MRV015-AB519
9	Rotor Shaft Seal	MRV015-B2328
10	End Plate Gasket (2)	MRV015-B330
11	Rear End Cap	MRV015-AM307
12	End Cap Gasket	MRV015-AA46
13	Muffler Assembly	MRV015-AC980
*	Muffler Screen (2)	MRV015-AC984
*	Muffler Felt	MRV015-AC983
15	Front End Plate Cap Screw (6)	5081T-961
16	Rear End Plate Cap Screw (6)	MRV015-638
*	Mounting Foot	MRV015-AH634
*	NEMA Mounting Flange	MRV015-AH633
*	Tune-up Kit (includes illustrated parts 5, 8, 8A, 9, 10, 12 and non-illustrated parts MRV015-AM466 (2) and (4) MRV015-AM467)	MRV015-TK1

* Not illustrated.

MODEL MRV040



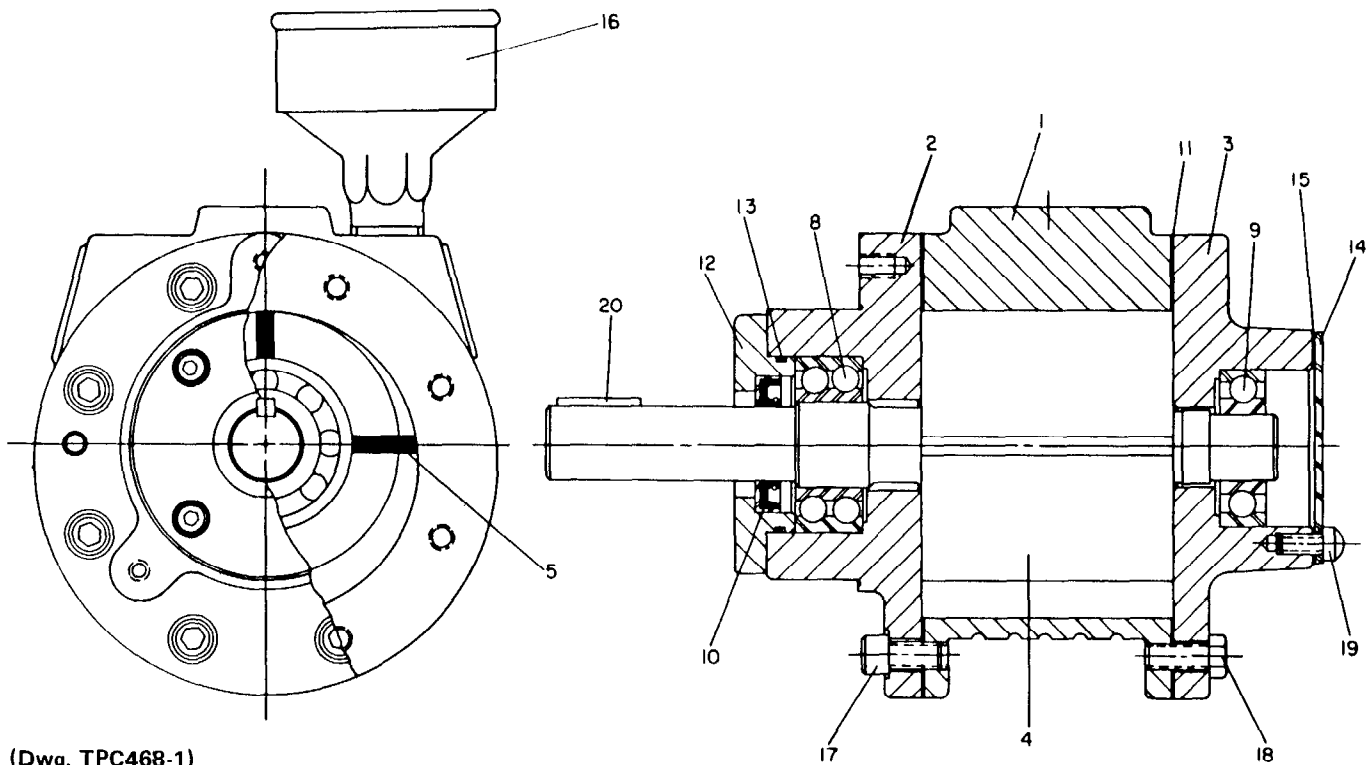
(Dwg. TPC467)

PART NUMBER FOR ORDERING

1	Cylinder	MRV040-AH636
2	Front End Plate	MRV040-AH637
3	Rear End Plate	MRV040-AD651
4	Rotor	MRV040-AH635
5	Vane (4)	MRV040-AD691
*	Vane Spring (4)	MRV040-AD692
*	Vane Pin (2)	MRV040-AD655A
8	Front Rotor Bearing	MRV040-AD638A
9	Rear Rotor Bearing	MRV040-AB519
10	Rotor Shaft Seal	MRV040-AC849
12	End Plate Gasket (2)	MRV040-AD641
13	Front End Cap	MRV040-AD642A
14	Front End Cap Seal	MRV040-AD649
15	Rear End Cap	MRV040-AD643
16	Rear End Cap Gasket	MRV040-AD644
17	Muffler Assembly	MRV040-AC990
*	Muffler Screen (2)	MRV040-AC994
*	Muffler Felt	MRV040-AC993
18	End Plate Cap Screw (12)	5081T-961
19	End Cap Screw (6)	SRA010A1-68
20	Drive Key	MRV040-AB136
*	Mounting Foot	MRV015-AH634
*	NEMA Mounting Flange	MRV015-AH633
*	Tune-up Kit (includes illustrated parts 5, 8, 9, 10, 12, 14 and 16 and non-illustrated parts MRV040-AD692 (4) and (2) MRV040-AD655A)	MRV040-TK1

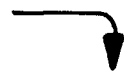
* Not illustrated.

MODEL MRV050



(Dwg. TPC468-1)

PART NUMBER FOR ORDERING



1	Cylinder	MRV050-AH638
2	Front End Plate	MRV050-AH639
3	Rear End Plate	MRV050-AC964
4	Rotor	MRV050-AC986
5	Vane (4)	MRV050-AC816
*	Vane Spring (4)	MRV050-AC817
*	Vane Pin (2)	MRV050-AC879
8	Front Rotor Bearing	MRV050-AB927
9	Rear Rotor Bearing	MRV050-AC894B
10	Rotor Shaft Seal	MRV050-AB936
11	End Plate Gasket (2)	MRV050-AC888
12	Front End Cap	MRV050-AC988
12A	Front End Cap Screw (4)	34U-667A
13	Front End Cap Seal	MRV050-AC989
14	Rear End Cap	MRV050-AC836
15	Rear End Cap Gasket	MRV050-AC837
16	Muffler	MOV010AA-674
17	Front End Plate Cap Screw (8)	D01-506
18	Rear End Plate Cap Screw (8)	T33-68
19	End Cap Screw (3)	34U-634
*	End Cap Lock Washer (3)	F-58
20	Drive Key	MRV050-AB136D
*	Mounting Foot	MRV050-AH640
*	NEMA Mounting Flange	MRV050-AH641
*	Tune-up Kit (includes illustrated parts 5, 8, 9, 10, 11, 13 and 15 and non-illustrated parts MRV050-AC817 (4) and (2) MRV050-AC879)	MRV050-TK1

* Not illustrated.

