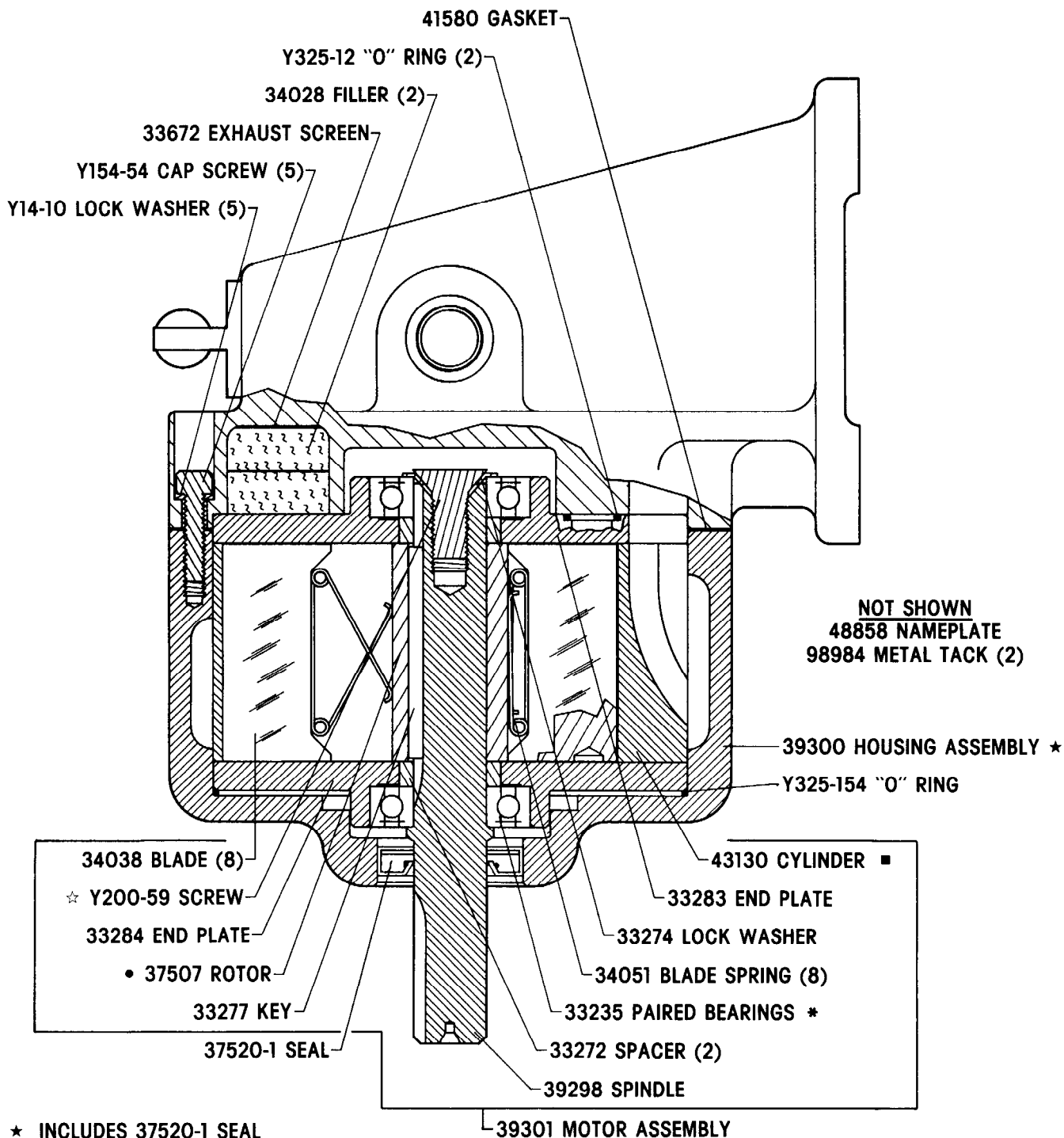


PARTS LIST

MODEL 7780-1-A
7700 SERIES POWER UNIT
5000 R.P.M. REVERSIBLE

FORM 3621-2

10-12-92



- ★ INCLUDES 37520-1 SEAL
- INCLUDES Y178-73 ROLL PIN
- * ASSEMBLE WITH SHIELDED SIDE FACING OUT
- ASSEMBLE WITH IDENTIFICATION MARK (DRILL SPOT) TOWARD 33284 END PLATE
- ☆ TORQUE TO 90 - 110 IN. LBS

For parts and service information, contact your local ARO distributor, or the Customer Service Dept. of the Ingersoll-Rand Distribution Center, White House, TN at PH: (615) 672-0321, FAX: (615) 672-0601

ARO Tool & Hoist Products

Ingersoll-Rand Company

1725 U.S. No. 1 North • P.O. Box 8000 • Southern Pines, NC 28388-8000

©1992 THE ARO CORPORATION • Printed in U.S.A.

INGERSOLL-RAND®
PROFESSIONAL TOOLS

