



Tool Products

SALES AND ENGINEERING DATA

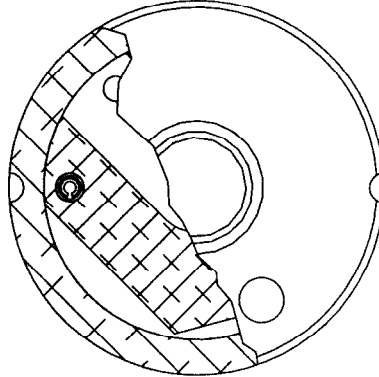
0 SERIES MOTOR
MODEL 8661

(AV-1)

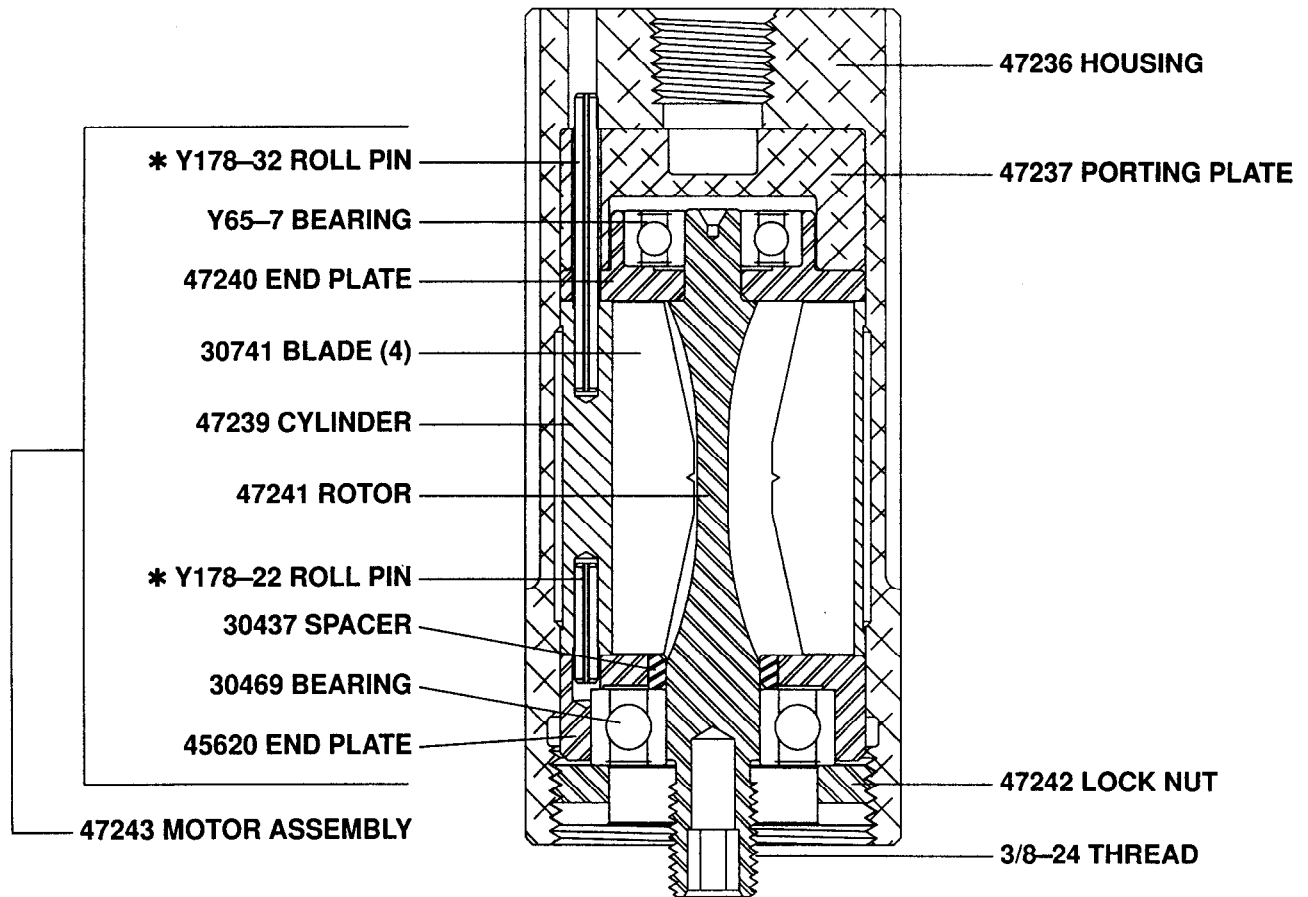
16,000 R.P.M.

FORM: 2583-2

DATE: 11-10-95



* INCLUDED WITH 47239 CYLINDER



For parts and service information, contact your local ARO distributor, or the Customer Service Dept. of the Ingersoll-Rand Distribution Center, White House, TN at PH: (615) 672-0321, FAX: (615) 672-0801.

ARO Tool Products

PN 49999-140



Ingersoll-Rand Company
1725 U.S. No. 1 North • P.O. Box 8000 • Southern Pines, NC 28388-8000
©1995 THE ARO CORPORATION • PRINTED IN U.S.A.

Part of worldwide Ingersoll-Rand

