

THIS PAGE SUPERSEDES:
SECTION **46**
PAGE NO. **2**
DATE **1-20-92**

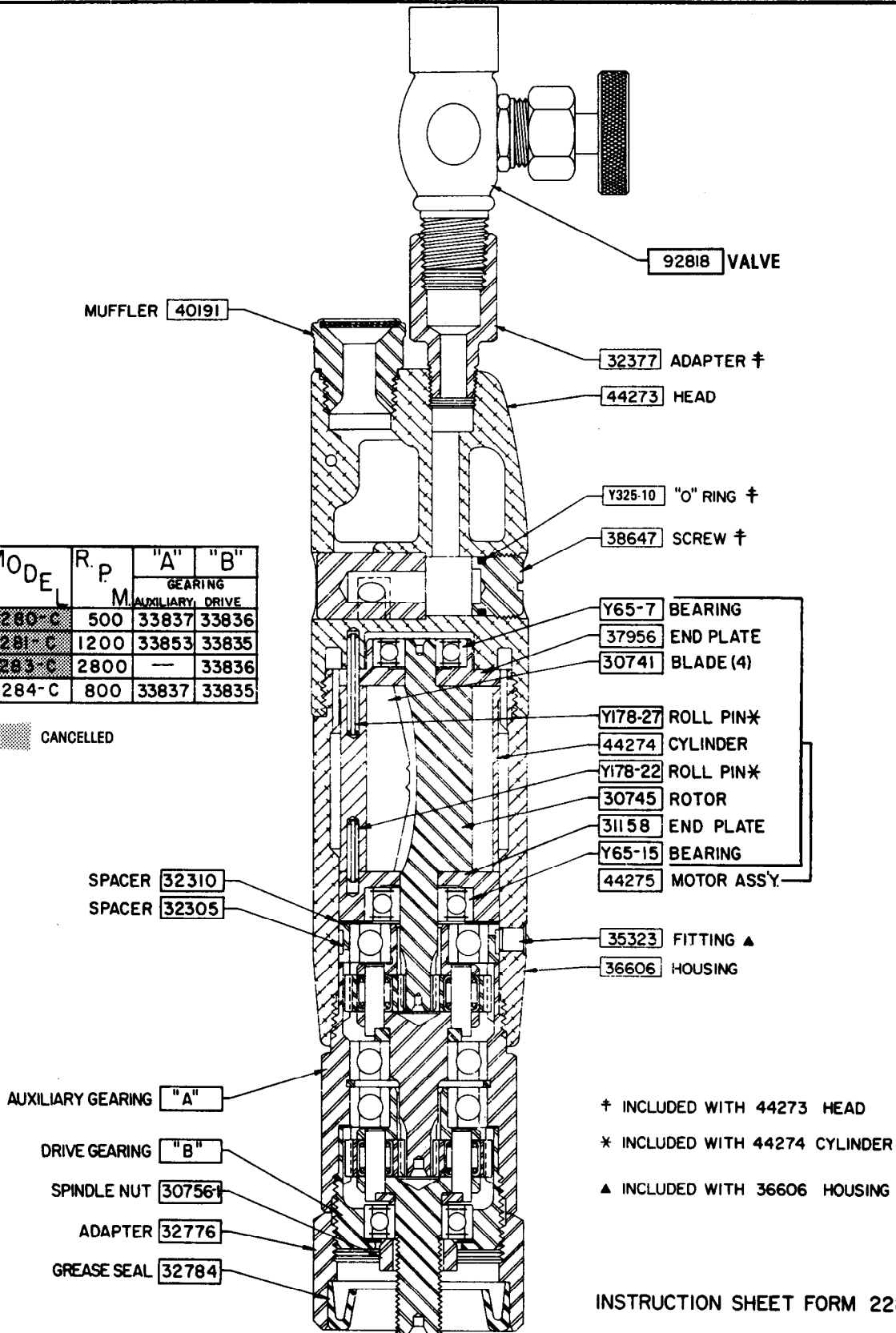
SALES AND ENGINEERING DATA

"O" SERIES MIXING MOTOR
MODELS 7280-C, 7281-C, 7283-C, 7284-C

SECTION **46**
PAGE NO. **2**
DATE **4-15-93**

MODEL	R. P. M.	"A"	"B"
		GEARING	
		AUXILIARY DRIVE	
7280-C	500	33837	33836
7281-C	1200	33853	33835
7283-C	2800	—	33836
7284-C	800	33837	33835

 CANCELLED



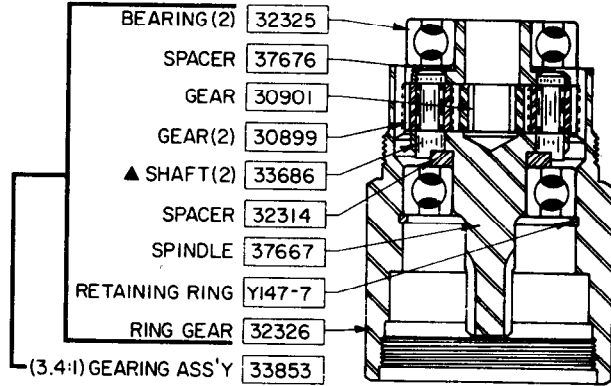
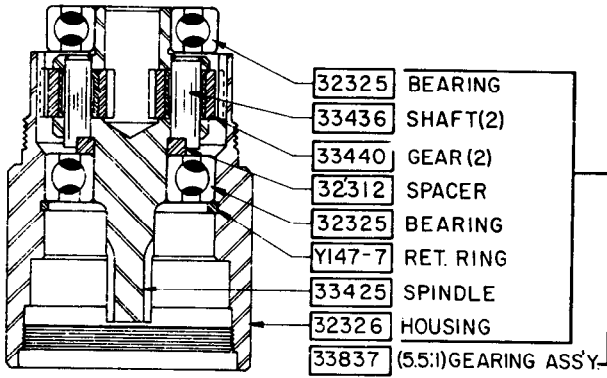
- † INCLUDED WITH 44273 HEAD
- * INCLUDED WITH 44274 CYLINDER
- ▲ INCLUDED WITH 36606 HOUSING

INSTRUCTION SHEET FORM 228-2

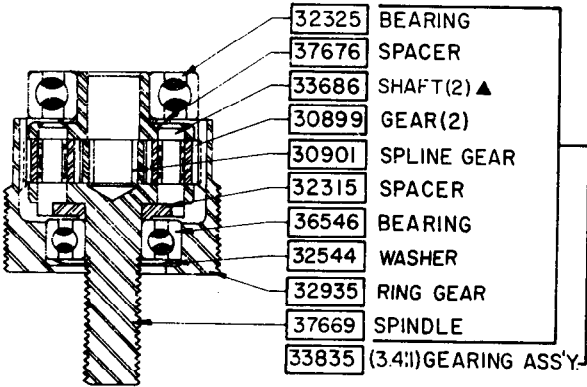
For parts and service information, contact your local ARO distributor, or the Customer Service Dept. of the Ingersoll-Rand Distribution Center, White House, TN at PH: (615) 672-0321, FAX: (615) 672-0601.

ARO Tool & Hoist Products
Ingersoll-Rand Company
1725 U.S. No. 1 North • P.O. Box 8000 • Southern Pines, NC 28388-8000
©1993 THE ARO CORPORATION • PRINTED IN U.S.A.

INGERSOLL-RAND®
PROFESSIONAL TOOLS



▲ INCLUDES NEEDLE BEARINGS ,15 PER SHAFT



▲ INCLUDES NEEDLE BEARINGS ,15 PER SHAFT

