

Parts Manual
PL71-61MR-911
04/08/2011

Cleco®

61MR-910 Series
Reversible Rotary Vane Power Motors



For additional product information visit our website at <http://www.apextoolgroup.com>



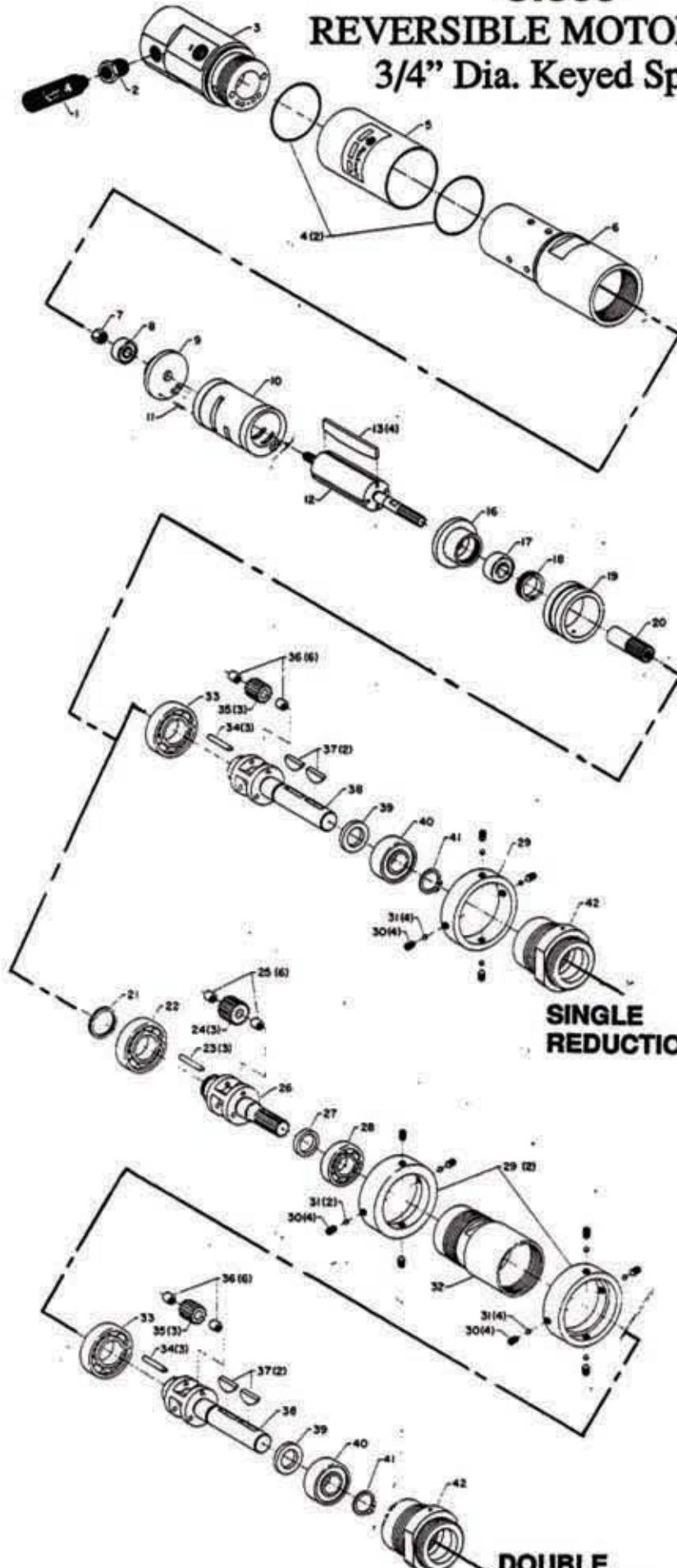
Zampini Industrial Group
AirToolPro.com
1-800-353-4676

Industrial Air & Electric Tools
We Sell Reliability!
In Business Since 1987
FREE Expert Assistance - Call Now

Cleco®

REVERSIBLE MOTOR UNITS
3/4" Dia. Keyed Spindle

61MRR911M
61MRR912M
61MRR913M
61MRR914M
61MRR915M



REF. NO. PART NO. DESCRIPTION

1	1015869	Muffler
2	1014706	Bushing
3	1015671	Rear Head
4	1010229	O-Ring
5	1015646	Exhaust Sleeve
6	1015670	Motor Housing
7	1008723	Hex Nut
8	1009017	Ball Bearing
9	1015645	Rear Plate
10	1023798	Cylinder, Incl: #11
11	1008265	Pin
12	1017515	Rotor
13	1017514	Rotor Blade
16	1009323	Front Plate
17	1009015	Ball Bearing
18	1004639	Bearing Retainer
19	1009550	Spacer
20	1015667	Pinion (61MR-911,13)
21	1009530	Retaining Ring (61MR-913,14,15)
22	1009333	Ball Bearing (61MR-913,14,15)
23	1009331	Planet Pin (61MR-913,14,15)
24	1009594	Planet Gear (61MR-913)
	1009332	Planet Gear (61MR-914,15)
25	1009303	Needle Bearing (61MR-913,14,15)
26	1009601	Planet Cage (61MR-913)
	1009598	Planet Cage (61MR-914)
	1009599	Planet Cage (61MR-915)
27	1009593	Planet Cage Washer (61MR-913)
	1009592	Planet Cage Washer (61MR-914,15)
28	1005003	Ball Bearing (61MR-913,14,15)
29	1016054	Locking Collar (61MR-913,14,15)
	1015665	Locking Collar (61MR-911,12)
30	1008344	Set Screw
31	1015675	Pad
32	1013858	Internal Gear (61MR-913,14,15)
33	1009333	Ball Bearing
34	1009331	Planet Pin
35	1009594	Planet Gear (61MR-911,13,14)
	1009332	Planet Gear (61MR-912,15)
36	1009303	Needle Bearing
37	1001311	Woodruff Key
38	1015643	Planet Cage (61MR-911,13,14), Incl:
(n)	1015356	Retaining Ring (61MR-911,13,14)
		Current Model
(n)	1015644	Planet Cage (61MR-912,15), Incl:
(n)	1015357	Retaining Ring (61MR-912,15)
		Current Model
39	1009593	Planet Cage Washer (61MR-911,13,14)
		Early Model
	1009592	Planet Cage Washer (61MR-912,15)
		Early Model
40	1010135	Ball Bearing
41	1012796	Retaining Ring
42	1015641	Internal Gear
(n)		NEW PART
(*)		PART NOT SHOWN



Zampini Industrial Group

AirToolPro.com

1-800-353-4676

Industrial Air & Electric Tools

We Sell Reliability!

In Business Since 1987

FREE Expert Assistance - Call Now

SERVICE NOTES

Catalog Number	Spindle Speed (rpm)	Spindle Rotation
61MRR911M	3,400	Reversible
61MRR912M	1,700	
61MRR913M	825	
61MRR914M	400	
61MRR915M	200	

FEATURES

Reversible Motor
 3/4" Diameter Keyed Spindle
 3/4 horsepower

POWER SOURCE

Requirements: 90-100 PSI air pressure,
 minimum 3/8" I.D. hose,
 air inlet thread size: 3/8" NPT

TO CONVERT "A" MODELS TO "B" MODELS:

Remove

Ref. No.	Part No.	Description
12	1012094	Rotor
13	1009469	(4) Rotor Blades

Add

Ref. No.	Part No.	Description
12	1017515	Rotor
13	1017514	(4) Rotor Blades



Sales & Service Centers

Note: All locations may not service all products. Please contact the nearest Sales & Service Center for the appropriate facility to handle your service requirements.

Dallas, TX
**Apex Tool Group
Sales & Service Center**
1470 Post & Paddock
Grand Prairie, TX 75050
Tel: 972-641-9563
Fax: 972-641-9674

Detroit, MI
**Apex Tool Group
Sales & Service Center**
2630 Superior Court
Auburn Hills, MI 48326
Tel: 248-391-3700
Fax: 248-391-7824

Houston, TX
**Apex Tool Group
Sales & Service Center**
6550 West Sam Houston
Parkway North, Suite 200
Houston, TX 77041
Tel: 713-849-2364
Fax: 713-849-2047

Lexington, SC
Apex Tool Group
670 Industrial Drive
Lexington, SC 29072
Tel: 800-845-5629
Tel: 803-951-7544
Fax: 803-358-7681

Los Angeles, CA
**Apex Tool Group
Sales & Service Center**
15503 Blackburn Avenue
Norwalk, CA 90650
Tel: 562-623-4457
Fax: 562-802-1718

Seattle, WA
**Apex Tool Group
Sales & Service Center**
2865 152nd Avenue N.E.
Redmond, WA 98052
Tel: 425-497-0476
Fax: 425-497-0496

York, PA
**Apex Tool Group
Sales & Service Center**
3990 East Market Street
York, PA 17402
Tel: 717-755-2933
Fax: 717-757-5063

Canada
**Apex Tool Group
Sales & Service Center**
5925 McLaughlin Road
Mississauga, Ont. L5R 1B8
Canada
Tel: 905-501-4785
Fax: 905-501-4786

Germany
Cooper Power Tools
GmbH & Co. OHG
a company of
Apex Tool Group, LLC
Industriestraße 1
73463 Westhausen
Germany
Tel: +49 (0) 73 63 81 0
Fax: +49 (0) 73 63 81 222

England
Cooper Power Tools
GmbH & Co. OHG
a company of
Apex Tool Group, LLC
C/O Spline Gauges
Piccadilly, Tamworth
Staffordshire B78 2ER
United Kingdom
Tel: +44 1827 8741 28
Fax: +44 1827 8741 28

France
Cooper Power Tools SAS
a company of
Apex Tool Group, LLC
25 rue Maurice Chevalier
77330 Ozoir-La-Ferrière
France
Tel: +33 1 6443 2200
Fax: +33 1 6443 1717

China
Cooper (China) Co., Ltd.
a company of
Apex Tool Group, LLC
955 Sheng Li Road,
Heqing Pudong, Shanghai
China 201201
Tel: +86-21-28994176
Fax: +86-21-51118446

Mexico
Cooper Tools
de México S.A. de C.V.
a company of
Apex Tool Group, LLC
Vialidad El Pueblito #103
Parque Industrial Querétaro
Querétaro, QRO 76220
Mexico
Tel: +52 (442) 211-3800
Fax: +52 (442) 103-0443

Brazil
Cooper Tools Industrial Ltda.
a company of
Apex Tool Group, LLC
Av. Liberdade, 4055
Zona Industrial - Iporanga
SP Brazil
Tel: +55 15 2383929
Fax: +55 15 2383260

Hungary
Cooper Tools Hungaria Kft.
a company of
Apex Tool Group, LLC
Berkenyefa sor 7
Pf: 640
9027 Györ
Hungary
Tel: +36 96 66 1383
Fax: +36 96 66 1135

Apex Tool Group, LLC
1000 Lufkin Road
Apex, NC 27539
Phone: 919-387-0099
Fax: 919-387-2614
www.apextoolgroup.com

Cleco®