

Cleco®

60 Series Rotary Vane Air Motors Reversible, Side Exhaust



Model Number	Free Speed	Keyed Spindle Diameter	Mounting
60R200M	650	1-1/8"	Foot & Flange
60R201M	490	1-1/8"	Foot & Flange
60R202M	390	1-1/8"	Foot & Flange
60R203M	340	1-1/8"	Foot & Flange
60R204M	270	1-1/8"	Foot & Flange

For additional product information visit our website at www.clecotools.com



Zampini Industrial Group

AirToolPro.com

1-800-353-4676

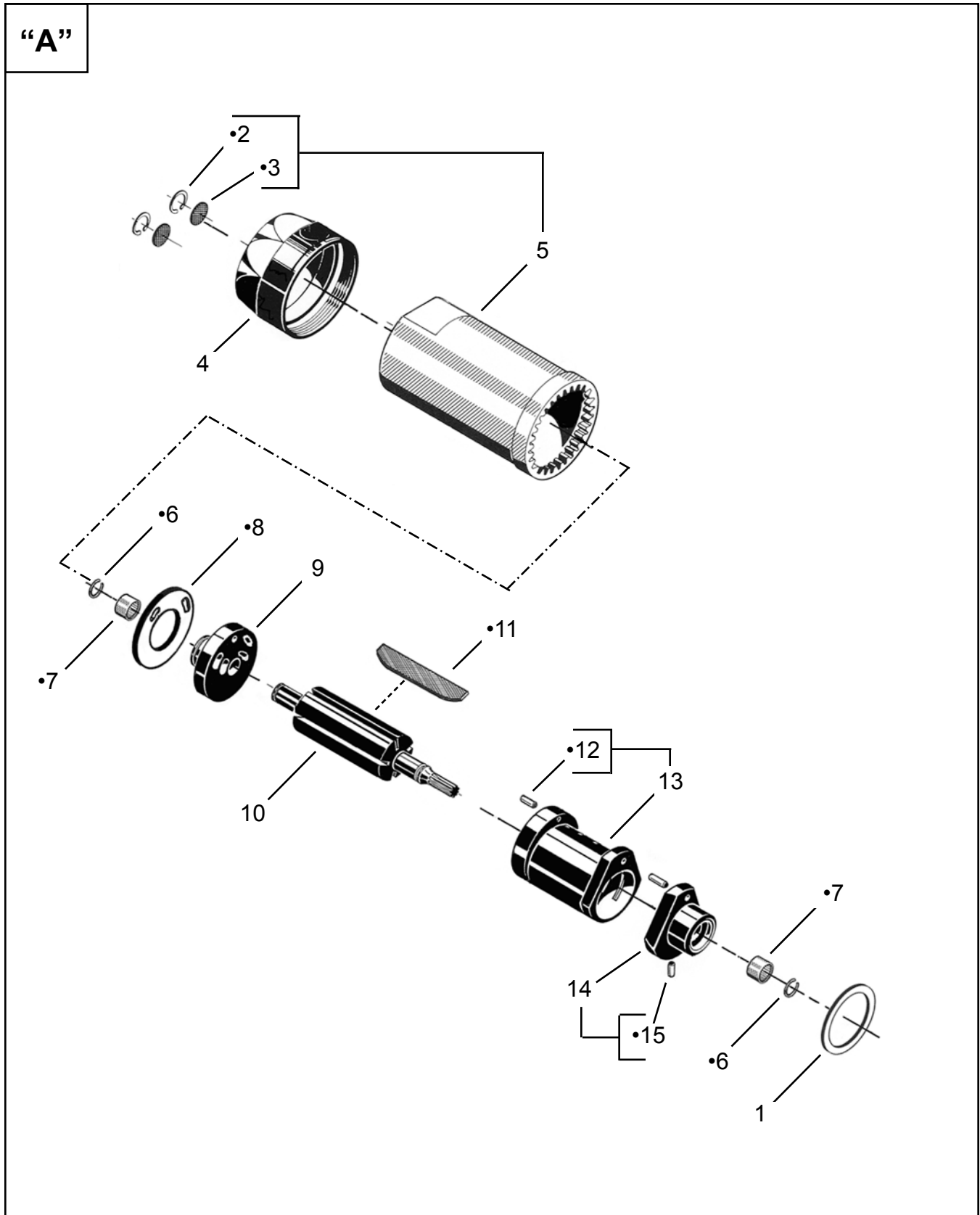
Industrial Air & Electric Tools

We Sell Reliability!

In Business Since 1987

FREE Expert Assistance - Call Now

Cleco® Motor and Housing



Motor and Housing

Illustration "A" - Motor and Housing

Index	Number	#	●	EN	DE	FR	ES	IT
				Description	Benennung	Designation	Description	Description
1	520977	1		Stack-Up Washer	Scheibe	Rondelle	Arandela	Rondella
2	800065	2	4	Retaining Ring	Sicherungsring	Anneau de fixation	Anillo de retención	Anello di fissaggio
3	521210	2	4	Air Strainer	Seibträger	Filtre d'air	Filtro de aire	Filtro aria
4	520976	1		Lock Nut	Überwurfnutter	Contre-écrou môle	Tuerca de fijación	Dado di bloccaggio
5	520973	1		Motor Housing	Motorgehäuse	Cage de moteur	Caja del motor	Corpo motore
6	503521	2	4	Retaining Ring	Sicherungsring	Anneau de fixation	Anillo de retención	Anello di fissaggio
7	500511	2	4	Bearing	Lager	Coussinet	Cojinete	Cuscinetto
8	525176	1	3	Gasket	Dichtung	Joint d'étanchéité	Empaquetadura	Guanzibone
9	513291	1		Upper End Plate	Oberer Abschlußdeckel	Plaque d'extrémité supérieure	Placa de extremo superior	Piatello superiore
10	Table "A"	1		Rotor	Rotor	Rotor	Rotor	Rotore
11	513231	5	15	Rotor Blade	Rotoblatt	Pale de rotor	Alabe del rotor	Paletta del rotore
12	RPS119	2	4	Pin	Stift	Goujon	Pasador	Spina
13	513294	1		Cylinder	Zylinder	Cylindre	Cilindro	Cilindro
14	526710	1		Lower End Plate	Unterer Abschlußdeckel	Plaque d'extrémité inférieure	Placa de extremo inferior	Piatello inferiore
15	RPS106	1	3	Pin	Stift	Goujon	Pasador	Spina

#) Quantity / Stückzahl / Quantité / Cantidad / Quantità

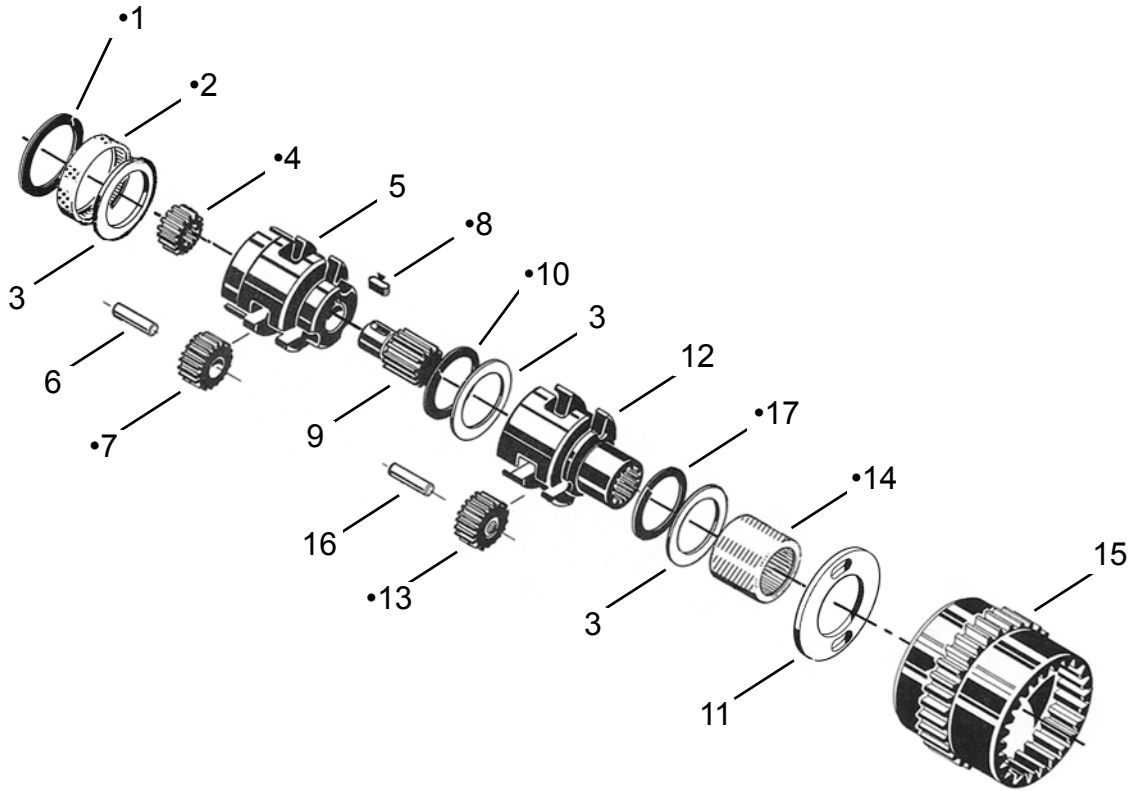
● Recommended Spare Parts / Kennzeichnet empfohlenes / Identifica un particolare di ricambio raccomandato / Designa el repuesto recomendado / Indique la pièce de rechange conseillée

Table "A"

Index #	Description	Qty.	60R201M 60R200M	Qty.	60R203M 60R202M	Qty.	60R204M
10	Rotor	1	513216	1	513214	1	513215

Cleco® Double Geared

“B”



Double Geared

Illustration "B" - Double Geared

Index	Number	#	●	EN	DE	FR	ES	IT
				Description	Benennung	Designation	Description	Description
1	503350	1	2	Retaining Ring	Sicherungsring	Anneau de fixation	Anillo de retención	Anello difissaggio
2	500512	1	2	Bearing	Lager	Coussinet	Cojinete	Cuscinetto
3	502985	3		Thrust Washer	Druckscheibe	Rondelle de butée	Arandela de empuje	Rondella di spinta
4	Table "B"	1	2	Slip On Gear	Steckritzel	Pignon coulissant	Engranaje de deslizamiento	Ingranaggio slittante
5	513218	1		Upper Gear Cage	Planetenradträger	Cage d'engrenage	Jaula de engranajes	Gabbia ingranaggio
6	513233	3		Idler Pin	Zwischenradbolzen	Broche pour roue intermédiaire	Pñon loco	Perno dell'ingranaggio intermedio
7	Table "B"	3	6	Upper Idler Gear	Zwischenzahnrad	Engrenage secondaire	Engranaje secundario	Ingranaggio intermedio
8	60887	1	3	Key	Schlüssel	Clavette	Llave	Chiave
9	Table "B"	1		Short Spindle Gear	Spindelgetriebe	Engrenage de broche	Engranaje de husillo	Ingranaggio mandrino
10	800218	1	2	Retaining Ring	Sicherungsring	Anneau de fixation	Anillo de retención	Anello difissaggio
11	520979	1		Exhaust Plate	Platte	Plaque	Placa	Platello
12	513217	1		Lower Gear Cage	Planetenradträger	Cage d'engrenage	Jaula de engranajes	Gabbia ingranaggio
13	Table "B"	3	6	Lower Idler Gear	Zwischenzahnrad	Engrenage secondaire	Engranaje secundario	Ingranaggio intermedio
14	800162	1	2	Bearing	Lager	Coussinet	Cojinete	Cuscinetto
15	520978	1		Gear Case	Getriebegehäuse	Couvre-engrenages	Caja de engranaje	Scatola ingranaggio
16	513236	3		Idler Pin	Zwischenradbolzen	Broche pour roue intermédiaire	Pñon loco	Perno dell'ingranaggio intermedio
17	800201	1	2	Retaining Ring	Sicherungsring	Anneau de fixation	Anillo de retención	Anello difissaggio

#) Quantity / Stückzahl / Quantité / Cantidad / Quantità

● Recommended Spare Parts / Kennzeichnet empfohlenes / Identifica un particolare di ricambio raccomandato / Designa el repuesto recomendado / Indique la pièce de rechange conseillée

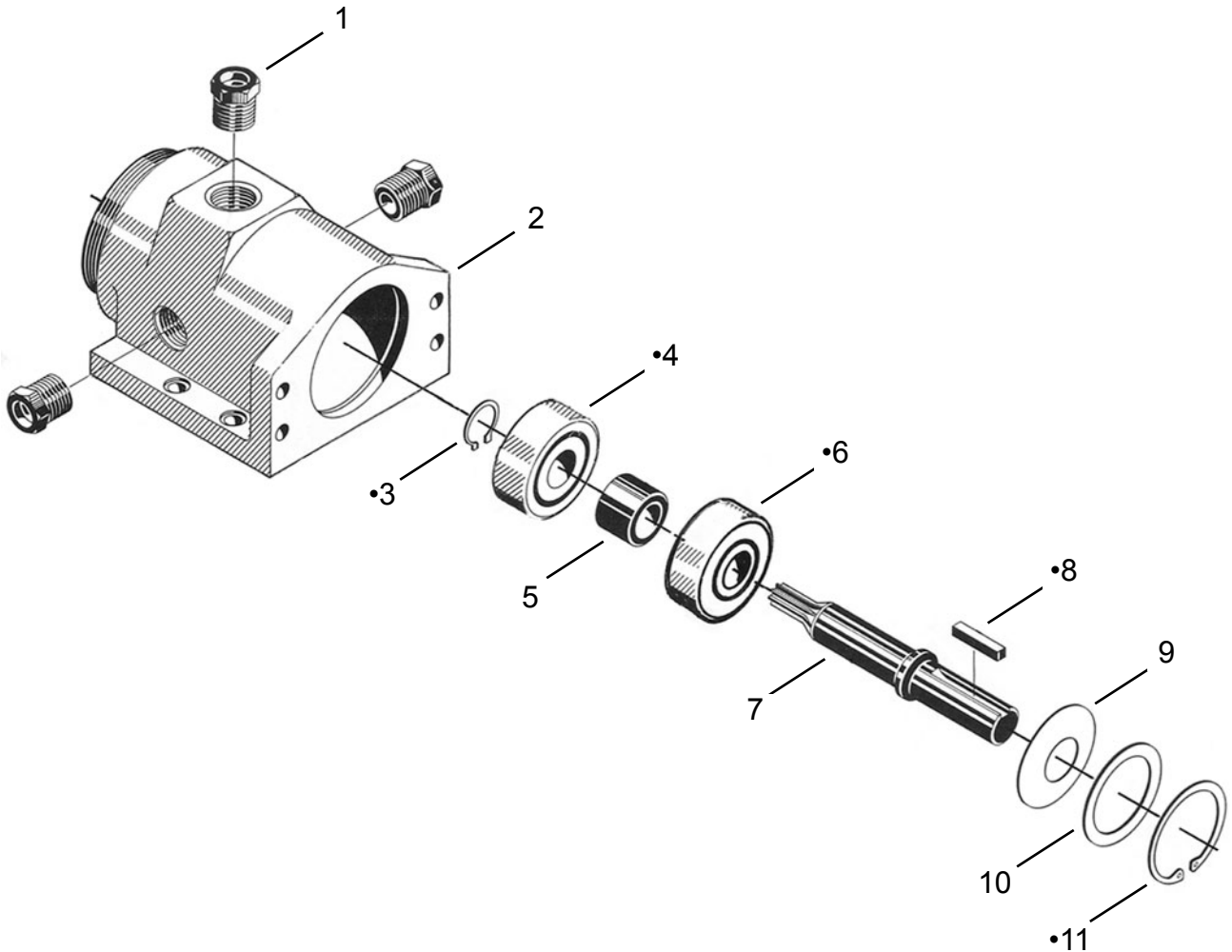
Table "B"

Index #	Description	Qty.	60R204M	Qty.	60R203M	Qty.	60R202M	Qty.	60R201M	Qty.	60R200M
4	Slip On Gear		----		----		----	1	513241	1	513241
7	Upper Idler Gear	3	523534	3	523536	3	523536	3	523535	3	523535
9	Short Spindle Gear	1	513238	1	513238	1	513237	1	513239	1	513237
13	Lower Idler Gear	3	513228	3	513228	3	513226	3	513227	3	513226

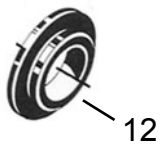
(T) Teeth / Zähne / Dents / Dientes / Dente

Cleco® Housing and Output Spindle

“C”



Extra Equipment



Housing and Output Spindle

Illustration "C" - Housing and Output Spindle

Index	Number	#	●	EN	DE	FR	ES	IT
				Description	Benennung	Designation	Description	Description
1	520959	3		Muffler	Schalldämpfer	Silencieux	Silenciador	Silenziatore
2	520975	1		Spindle Housing	Spindelgehäuse	Cage à pignons	Caja del husillo	Corpo mandrino
3	800141	1	2	Retaining Ring	Sicherungsring	Anneau de fixation	Anillo de retención	Anello di fissaggio
4	12P5	1	2	Bearing	Lager	Coussinet	Cojinete	Cuscinetto
5	520985	1		Spacer	Distanzstück	Entretoise	Espaciador	Distanziale
6	520980	1	2	Bearing	Lager	Coussinet	Cojinete	Cuscinetto
7	520986	1		Spindle	Spindel	Aixe	Husillo	Mandrino
8	512535	1	2	Key	Schlüssel	Clavette	Llave	Chiave
9	521208	1		Wave Washer	Wellenförmige unterlegscheibe	Rondele en onde	Arandela ondulada	Rondella ondulata
10	520984	1		Housing Washer	Scheibe	Rondele	Arandela	Rondella
11	800083	1	2	Retaining Ring	Sicherungsring	Anneau de fixation	Anillo de retención	Anello di fissaggio
12	520983	1		Pilot Ring	Zentrierung	Anneau pilote	Anillo piloto	Anello di centaggio

#) Quantity / Stückzahl / Quantité / Cantidad / Quantità

● Recommended Spare Parts / Kennzeichnet empfohlenes / Identifica un particolare di ricambio raccomandato / Designa el repuesto recomendado / Indique la pièce de rechange conseillée

Apex Tool Group, LLC.
1000 Lufkin Road
Apex, NC 27539
Phone: 919-387-0099
Fax: 919-387-2614
www.clecotools.com

Cleco[®]

Printed in USA 06/15/2010/PL71-60RMR/Copyright© 2010 Apex Tool Group, LLC.



Zampini Industrial Group
AirToolPro.com
1-800-353-4676

Industrial Air & Electric Tools
We Sell Reliability!
In Business Since 1987
FREE Expert Assistance - Call Now