

Cleco®

41 Series Rotary Vane Air Motors Reversible, Side Exhaust



For additional product information visit our website at www.clecotools.com



Zampini Industrial Group

AirToolPro.com

1-800-353-4676

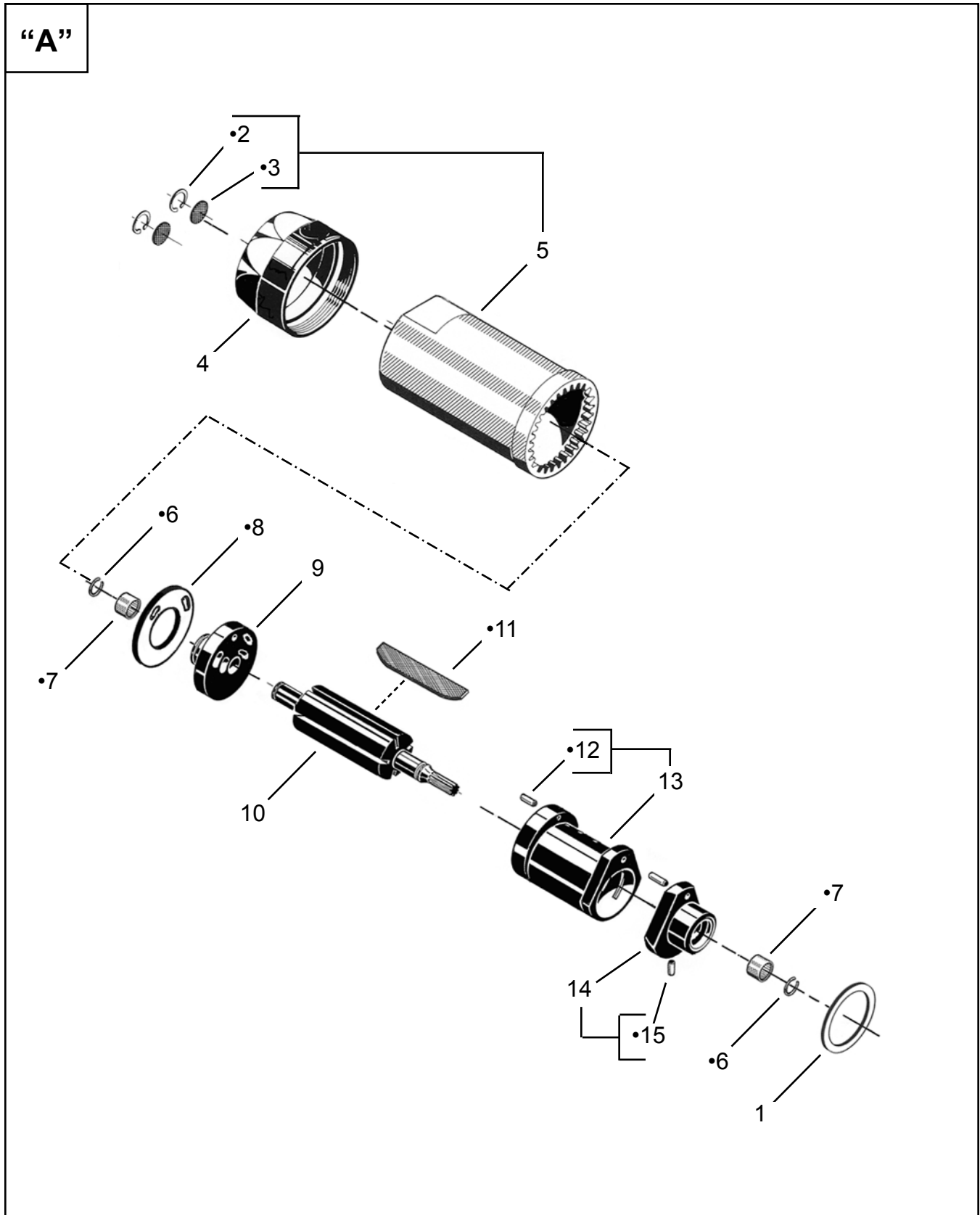
Industrial Air & Electric Tools

We Sell Reliability!

In Business Since 1987

FREE Expert Assistance - Call Now

Cleco® Motor and Housing



Motor and Housing

Illustration "A" - Motor and Housing

Index	Number	#	●	EN	DE	FR	ES	IT
				Description	Benennung	Designation	Description	Description
1	520884	1		Stack-Up Washer	Scheibe	Rondele	Arandela	Rondella
2	800072	2	4	Retaining Ring	Sicherungsring	Anneau de fixation	Anillo de retención	Anello di fissaggio
3	520883	2	4	Air Strainer	Siebtäger	Filtre d'air	Filtro de aire	Filtro aria
4	522955	1		Lock Nut	Überwurfnutter	Contre-écrou môlete	Tuerca de fijación	Dado di bloccaggio
5	537471	1		Motor Housing	Motorgehäuse	Cage de moteur	Caja del motor	Corpo motore
6	503528	2	4	Retaining Ring	Sicherungsring	Anneau de fixation	Anillo de retención	Anello di fissaggio
7	500504	2	4	Bearing	Lager	Coussinet	Cojinete	Cuscinetto
8	525174	1	3	Gasket	Dichtung	Joint d'étanchéité	Empaquetadura	Guarnizione
9	510727	1		Upper End Plate	Oberer Abschlußdeckel	Plaque d'extrémité supérieure	Placa de extremo superior	Piatello superiore
10	Table "A"	1		Rotor	Rotor	Rotor	Rotor	Rotore
11	531999	5	15	Rotor Blade	Rotorblatt	Pale de rotor	Alabe del rotor	Paletta del rotore
12	RP101M	2	4	Pin	Stift	Goujon	Pasador	Spina
13	537423	1		Cylinder	Zylinder	Cylindre	Cilindro	Cilindro
14	523973	1		Lower End Plate	Unterer Abschlußdeckel	Plaque d'extrémité inférieure	Placa de extremo inferior	Piatello inferiore
15	RPS106	1	3	Pin	Stift	Goujon	Pasador	Spina

#) Quantity / Stückzahl / Quantité / Cantidad / Quantità

● Recommended Spare Parts / Kennzeichnet empfohlenes / Identifica un particolare di ricambio raccomandato / Designa el repuesto recomendado / Indique la pièce de rechange conseillée

Table "A"

Index #	Description	Qty.	41R032M 41R056M 41R075M 41R092M 41R128M	Qty.	41R044M 41R176M
10	Rotor	1	536457	1	536456

Cleco® Single Geared

“B”

Models:
41R176M
41R128M

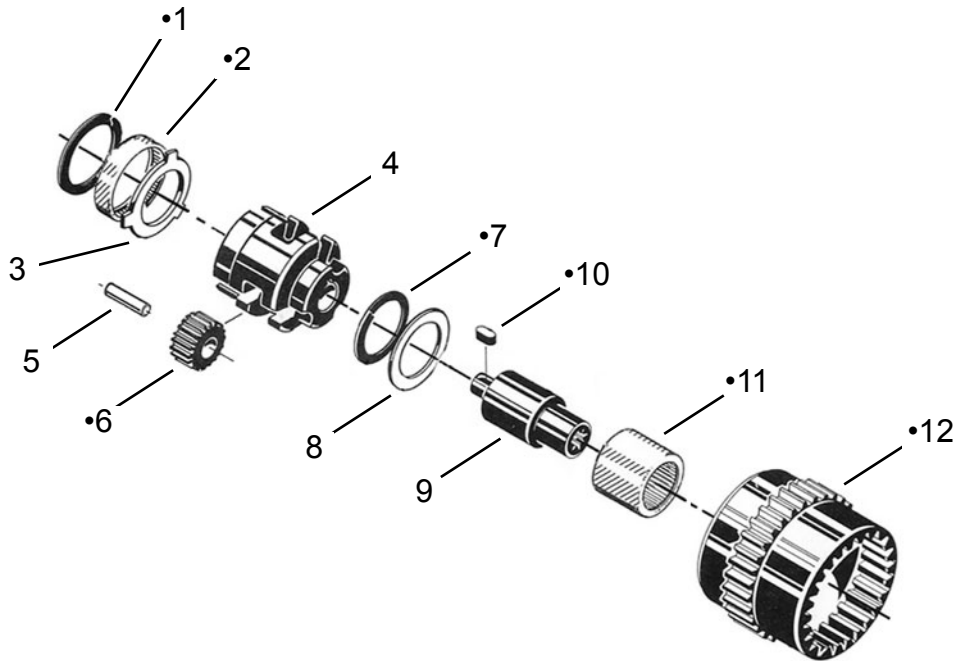


Illustration "B" - Single Geared

Index	Number	#	●	EN	DE	FR	ES	IT
				Description	Benennung	Designation	Description	Description
1	800094	1	2	Retaining Ring	Sicherungsring	Anneau de fixation	Anillo de retención	Anello di fissaggio
2	800168	1	2	Bearing	Lager	Coussinet	Cojinete	Cuscinetto
3	510674	1		Thrust Washer	Druckscheibe	Rondele de butée	Arandela de empuje	Rondella di spinta
4	510672	1		Gear Cage	Planetenradträger	Cage d'engrenage	Jaula de engranajes	Gabbia ingranaggio
5	510684	3		Idler Pin	Zwischenradbolzen	Broche pour roue intermédiaire	Piñon loco	Perno dell'ingranaggio intermedio
6	Table "B"	3	6	Idler Gear	Zwischenzahnrad	Engrenage secondaire	Engranaje secundario	Ingranaggio intermedio
7	503200	1	2	Retaining Ring	Sicherungsring	Anneau de fixation	Anillo de retención	Anello di fissaggio
8	510675	1		Thrust Washer	Druckscheibe	Rondele de butée	Arandela de empuje	Rondella di spinta
9	515563	1		Long Spindle	Spindel	Arbre	Husillo	Mandrino
10	O73	1	3	Key	Schlüssel	Clavette	Llave	Chiave
11	800177	1	2	Bearing	Lager	Coussinet	Cojinete	Cuscinetto
12	520890	1		Gear Case	Getriebegehäuse	Couvre-engrenages	Caja de engranaje	Scatola ingranaggio

#) Quantity / Stückzahl / Quantité / Cantidad / Quantità

● Recommended Spare Parts / Kennzeichnet empfohlenes / Identifica un particolare di ricambio raccomandato / Designa el repuesto recomendado / Indique la pièce de rechange conseillée

Table "B"

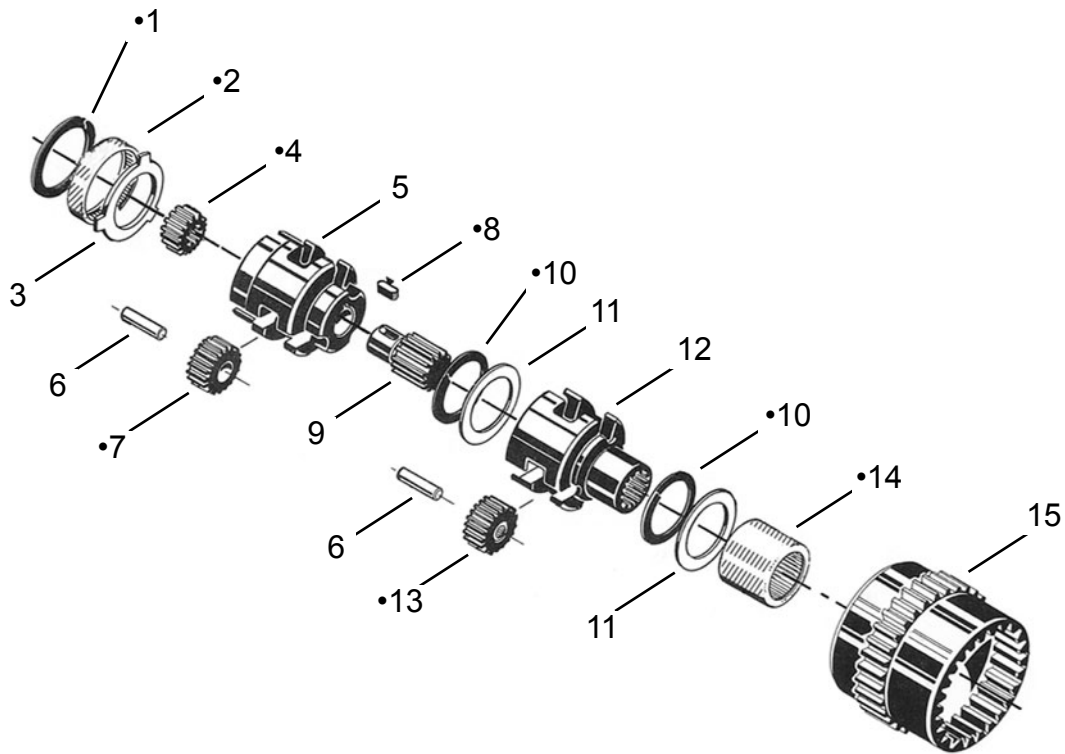
Index #	Description	Qty.	41R128M	Qty.	41R176M
6	Idler Gear	3	523543	3	523544

(T) Teeth / Zähne / Dents / Dientes / Dente

Cleco® Double Geared

“C”

Models:
41R032M
41R044M
41R056M
41R075M
41R092M



Double Geared

Illustration "C" - Double Geared

Index	Number	#	●	EN	DE	FR	ES	IT
				Description	Benennung	Designation	Description	Description
1	800094	1	2	Retaining Ring	Sicherungsring	Anneau de fixation	Anillo de retención	Anello di fissaggio
2	800168	1	2	Bearing	Lager	Coussinet	Cojinete	Cuscinetto
3	510674	1		Thrust Washer	Druckscheibe	Rondele de butée	Arandela de empuje	Rondella di spinta
4	Table "C"	1	2	Slip On Gear	Steckritzel	Pignon coulissant	Engranaje de deslizamiento	Ingranaggio slittante
5	510672	1		Upper Gear Cage	Planetenradträger	Cage d'engrenage	Jaula de engranajes	Gabbia ingranaggio
6	510684	6		Idler Pin	Zwischenradbolzen	Broche pour roue intermédiaire	Piñon loco	Perno dell'ingranaggio intermedio
7	Table "C"	3	6	Upper Idler Gear	Zwischenzahnrad	Engrenage secondaire	Engranaje secundario	Ingranaggio intermedio
8	O73	1	3	Key	Schlüssel	Clavette	Llave	Chave
9	Table "C"	1		Short Spindle Gear	Spindelgetriebe	Engrenage de broche	Engranaje de husillo	Ingranaggio mandrino
10	503200	2	4	Retaining Ring	Sicherungsring	Anneau de fixation	Anillo de retención	Anello di fissaggio
11	510675	2		Thrust Washer	Druckscheibe	Rondele de butée	Arandela de empuje	Rondella di spinta
12	525102	1		Lower Gear Cage	Planetenradträger	Cage d'engrenage	Jaula de engranajes	Gabbia ingranaggio
13	Table "C"	3	6	Lower Idler Gear	Zwischenzahnrad	Engrenage secondaire	Engranaje secundario	Ingranaggio intermedio
14	800177	1	2	Bearing	Lager	Coussinet	Cojinete	Cuscinetto
15	520890	1		Gear Case	Getriebegehäuse	Couvre-engrenages	Caja de engranaje	Scatola ingranaggio

#) Quantity / Stückzahl / Quantité / Cantidad / Quantità

● Recommended Spare Parts / Kennzeichnet empfohlenes / Identifica un particolare di ricambio raccomandato / Designa el repuesto recomendado / Indique la pièce de rechange conseillée

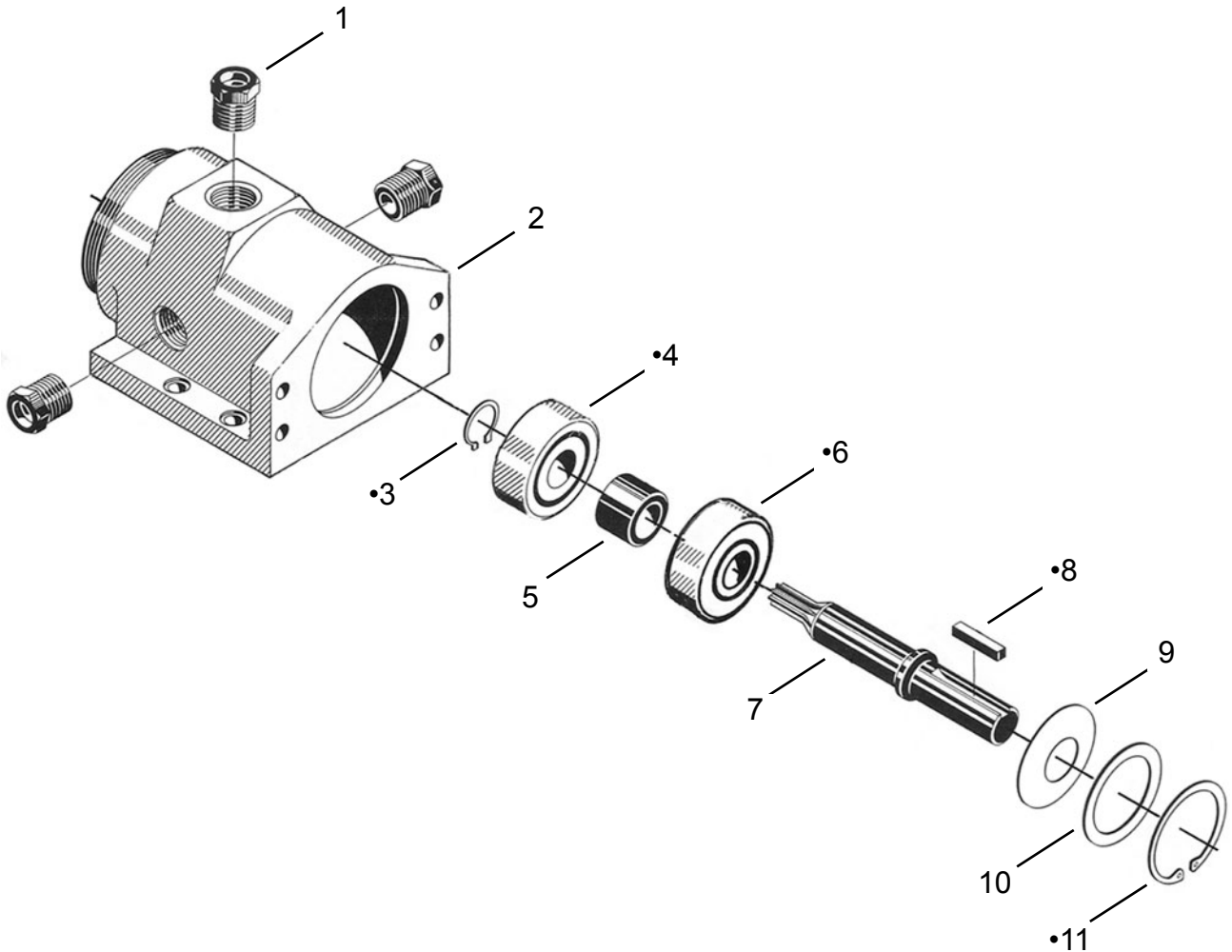
Table "C"

Index #	Description	Qty.	41R032M	Qty.	41R044M	Qty.	41R056M	Qty.	41R075M	Qty.	41R092M
4	Slip On Gear		----		----	1	515575	1	515575	1	510667
7	Upper Idler Gear	3	523543	3	523544	3	515574	3	515574	3	523541
9	Short Spindle Gear	1	533997	1	533997	1	510678	1	533997	1	533997
13	Lower Idler Gear	3	533998	3	533998	3	510661	3	533998	3	533998

(T) Teeth / Zähne / Dents / Dientes / Dente

Cleco® Housing and Output Spindle

“D”



Extra Equipment



Housing and Output Spindle

Illustration "D" - Housing and Output Spindle

Index	Number	#	●	EN	DE	FR	ES	IT
				Description	Benennung	Designation	Description	Description
1	519203	3		Muffler	Schalldämpfer	Silencieux	Silenciador	Silenziatore
2	520889	1		Spindle Housing	Spindelgehäuse	Cage à pignons	Caja del husillo	Corpo mandrino
3	800251	1	2	Retaining Ring	Sicherungsring	Anneau de fixation	Anillo de retención	Anello di fissaggio
4	504586	1	2	Bearing	Lager	Coussinet	Cojinete	Cuscinetto
5	520881	1		Spacer	Distanzstück	Entretoise	Espaciador	Distanziale
6	BB130	1	2	Bearing	Lager	Coussinet	Cojinete	Cuscinetto
7	520888	1		Spindle	Spindel	Abris	Husillo	Mandrino
8	29887	1	2	Key	Schlüssel	Clavette	Llave	Chiave
9	1012027	1		Wave Washer	Wellenförmige unterlegscheibe	Rondelle en onde	Arandela ondulada	Rondella ondulata
10	520885	1		Housing Washer	Scheibe	Rondelle	Arandela	Rondella
11	800078	1	2	Retaining Ring	Sicherungsring	Anneau de fixation	Anillo de retención	Anello di fissaggio
12	520886	1		Pilot Ring	Zentrier링	Anneau pilote	Anillo piloto	Anello di centaggio

#) Quantity / Stückzahl / Quantité / Cantidad / Quantità

● Recommended Spare Parts / Kennzeichnet empfohlenes / Identifica un particolare di ricambio raccomandato / Designa el repuesto recomendado / Indique la pièce de rechange conseillée

Apex Tool Group, LLC.
1000 Lufkin Road
Apex, NC 27539
Phone: 919-387-0099
Fax: 919-387-2614
www.clecotools.com

Cleco[®]

Printed in USA 06/15/2010/PL71-41RMR/Copyright© 2010 Apex Tool Group, LLC.



Zampini Industrial Group
AirToolPro.com
1-800-353-4676

Industrial Air & Electric Tools
We Sell Reliability!
In Business Since 1987
FREE Expert Assistance - Call Now