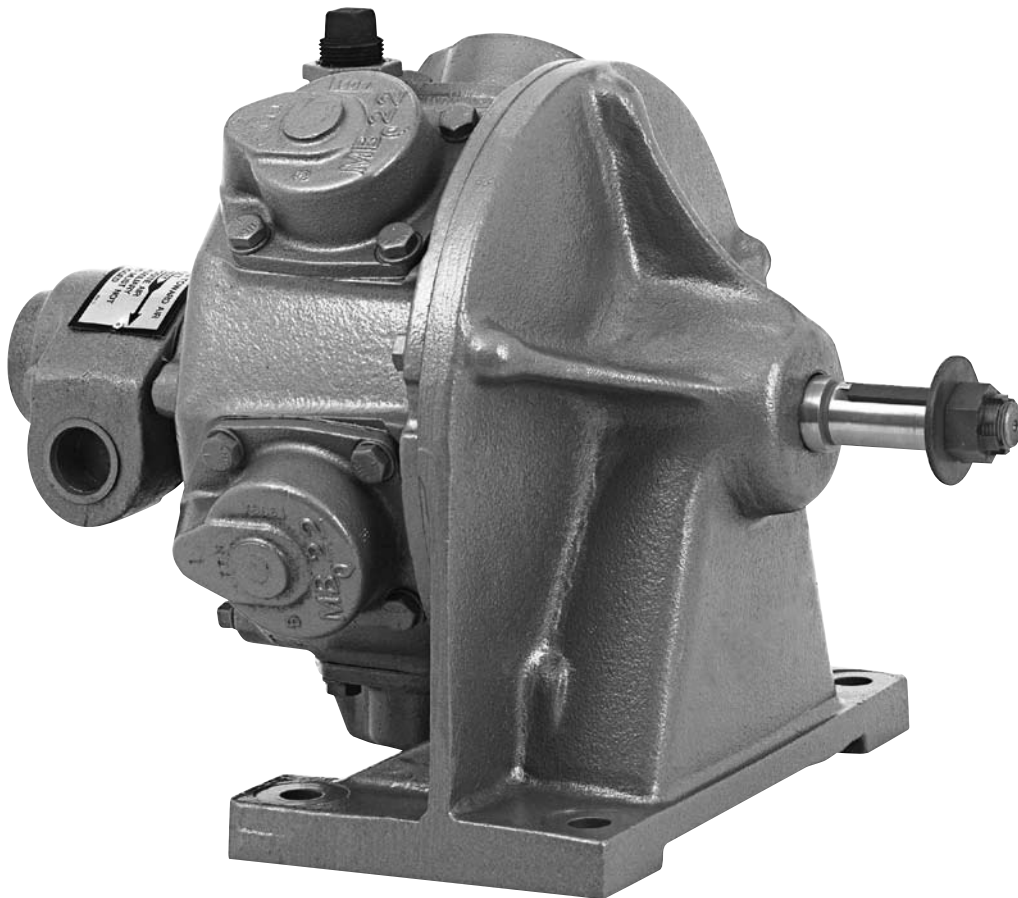


Parts Manual
PL70-1038EN
07/11/2012

Cleco®

MKW-2270
Radial Piston Power Motors



For additional product information visit our website at <http://www.apextoolgroup.com>



Zampini Industrial Group

AirToolPro.com

1-800-353-4676

Industrial Air & Electric Tools

We Sell Reliability!

In Business Since 1987

FREE Expert Assistance - Call Now



Zampini Industrial Group
AirToolPro.com
1-800-353-4676

Industrial Air & Electric Tools
We Sell Reliability!
In Business Since 1987
FREE Expert Assistance - Call Now

Cleco®

Specifications and Description

PL70-1038EN
07/11/2012

Specifications Table:

| Model | Maximum Allowable RPM | | Stall Torque | | Starting Torque | | Weight | | Air Consumption | | Gear Ratio | Max. Overhung Load @ Stall* | |
|-------------------|-----------------------|------------|--------------|-----|-----------------|-----|--------|-------|-----------------|--------|------------|-----------------------------|------|
| | @ Max. H hp | Free Speed | ft. lbs. | Nm | ft. lbs. | Nm | lbs. | kg | cfm | m3/min | | lbs. | kg |
| No Valving | | | | | | | | | | | | | |
| MKW-2270 | 183 | 375 | 606 | 822 | 374 | 507 | 230 | 104.3 | 299 | 8.47 | 5.2:1 | 2800 | 1270 |

* Note: All models assume overhung load located at 1.00" (25.40mm) from face of motor.

Language Version:

This Parts Manual is the **“Original Instructions”** intended for all persons who will use or repair these tools.

Product Identification:

Refer to the Specifications Table.

Noise and Vibration:

Refer to documents CE-1005DC and CE-1005TD.

General Description:

The Cleco MK series motors are of the five-cylinder radial piston style. This five-cylinder radial design, with it's overlap of power impulses, provides even torque at all speeds, and full power in either direction of rotation. At least two pistons are always on a power stroke.

These motors are designed for continuous service on 60 to 100 PSI air pressure. If overloaded beyond their power capacity, the air motor will simply stall without damage.

These motors are available without directional valving or they can be equipped with a single direction air valve or a 4-way reversing valve.

Intended Use:

These pneumatic motors are intended to be a power source for other equipment. Use only for their designated purpose. Do not use in an improper manner that can cause motor damage and operator injury.

Copyright protection:

Apex Tool Group, LLC reserves the right to modify, supplement or improve this document or the product without prior notice. This document may not be reproduced in any way, shape or form, in full or parts thereof, or copied to another natural or machine readable language or to a data carrier, whether electronic, mechanical, optical or otherwise without the express permission of Apex Tool Group, LLC.



General Instructions

Installation:

Make certain the airline is clean and free of scale and dirt before connecting to the air motor. Check all pipe fittings to make sure there are no air leaks.

During **continuous service**, these air motors should not operate faster than 65% of their rated free speed. Refer to the Specifications Table. An airline filter/lubricator should be installed as close to the air motor as possible.

During **intermittent service**, the splash lubrication from the motor case is adequate.

Check all cap screws to make sure they are properly tightened.

If an excessive amount of water is present in the airline, a water trap should be installed to trap as much as possible before it reaches the motor.

Lubrication:

Fill the motor case to the proper level before operating the motor.

Use Engine Oil* API Service Classified "SC" in the following weights:

Above 32° F - SAE 30W

Below 32° F - SAE 10W

Check the oil level daily and fill as necessary. If an airline lubricator has been installed, check daily and fill as necessary.

Motor Case: Approximately one and one-half (1-1/2) quarts of oil is required to fill the motor case to the proper level.

To check the motor case for proper oil level, open the oil level pet cock. If oil does not flow from the pet cock, add the appropriate oil until it starts to flow and then close the oil level pet cock.

If the airline carries an excessive amount of water and a water trap can not be installed, use a good grade of motor oil (an oil that will emulsify with water) to prevent damage to vital motor parts.

Gear Case: Approximately one (1) quart of oil is required to fill the gear case to the proper oil level.

Use Engine Oil* API Service Classified "SC" in the following weights:

Above 32° F - SAE 30W

Below 32° F - SAE 10W

The oil must flow at all times to properly lubricate the gears and bearings.

To check the gear case for proper oil level, open the oil level pet cock. If oil does not flow from the pet cock, add the appropriate oil until it starts to flow and then close the oil level pet cock.

Care and Maintenance:

Service the air motor regularly. The breather cap should be inspected frequently to make sure it is not plugged with dirt.

The drain plug in the motor case should be removed occasionally to allow any water or condensate in the bottom of the case to drain off. This should be done before adding new oil and after the motor has been idle long enough to permit the water and oil to separate.

Excessive use of oil is usually due to worn pistons and rings, a worn distributing valve and bushing, a damaged oil seal or a clogged breather cap.

Assembly Instructions:

Place the motor case face up (cylinder opening up) on a table. Install the valve bushing into the motor case counterbore from the outside until it bottoms out.

NOTE: The valve bushing must be put in a freezer before assembling into the motor case.

Install the piston rings into the grooves on the pistons (step on ring toward open part of piston). Put a retainer in one end of the hole in the pistons. Slip the bushing, chamfer down, over the drive end of the crankshaft until it bottoms out. Line up the holes with the groove in the crankshaft. Put a light coating of oil on the bushing and tap the key on the crankshaft.

Place on connecting rod retainer over the bushing. Place the five connecting rods into the connecting rod retainer (lettering on rod up). Place the other connecting rod retainer over the connecting rods and the bushing. Assemble the crankshaft (drive end) to the crankshaft (valve end). Line up the shaft groove with the hole in the crankshaft and insert the screw. Secure with the castle nut and cotter pin.

Press the bearing onto the crankshaft assembly until it bottoms out. Place the crankshaft assembly into the motor case and tap into position. Attach the five pistons to the connecting rods with the piston pins and secure with the retainers.

Oil the inside wall of each cylinder. Place a gasket on each cylinder. Compress the piston rings and slide a cylinder over each piston. Secure each cylinder with four washers and screws. Tighten to 45 ft. lbs. torque.

Oil the valve bushing and distributor valve, then insert the distributor valve into the valve bushing (locate the dowel pin). Slide the valve chest over the bushing and secure with two washers and screws. Tighten to 45 ft. lbs. torque. Apply air to the unit and test run in one direction only.

Geared Models:

Press a bearing (525424) onto the large gear end of the gear and pinion. Press a bearing (526576) onto the geared end of the gear and shaft until it bottoms out. Press the bearing (12J37) and wear ring onto the threaded end of the gear and shaft until they bottom out.

Press the oil seal into the gear housing until is flush with the outside edge of the housing. Press the bearing (526576), for the gear and pinion, into the housing until it bottoms out. Insert the gear and shaft into the gear housing and tap in until it bottoms out. Install the gear and pinion into the gear housing.

Press the oil seal into the bearing housing. Place the bearing housing (MK39) on the bearing housing (MK20) and secure with three washers and screws. Tighten to 45 ft. lbs. torque. Thread the wire through the holes in the screws and secure the ends.

Place the gasket over the gear housing and assemble the bearing housing. Make sure the pin in the bearing housing fits into the mating hole in the gear housing.

Press the bearing (12J37) onto the pinion gear until it bottoms out. Tap the key into the keyway on the pinion gear. Insert the pinion gear into the crankshaft assembly until it bottoms out.

Place the gasket on the motor case and assemble the motor case to the gear housing assembly (breather hole up). Secure with five washers and screws. Tighten to 45 ft. lbs. torque.

Assemble the plugs and pet cocks, then fill the motor case with two quarts of oil and the gear housing with one quart of oil.

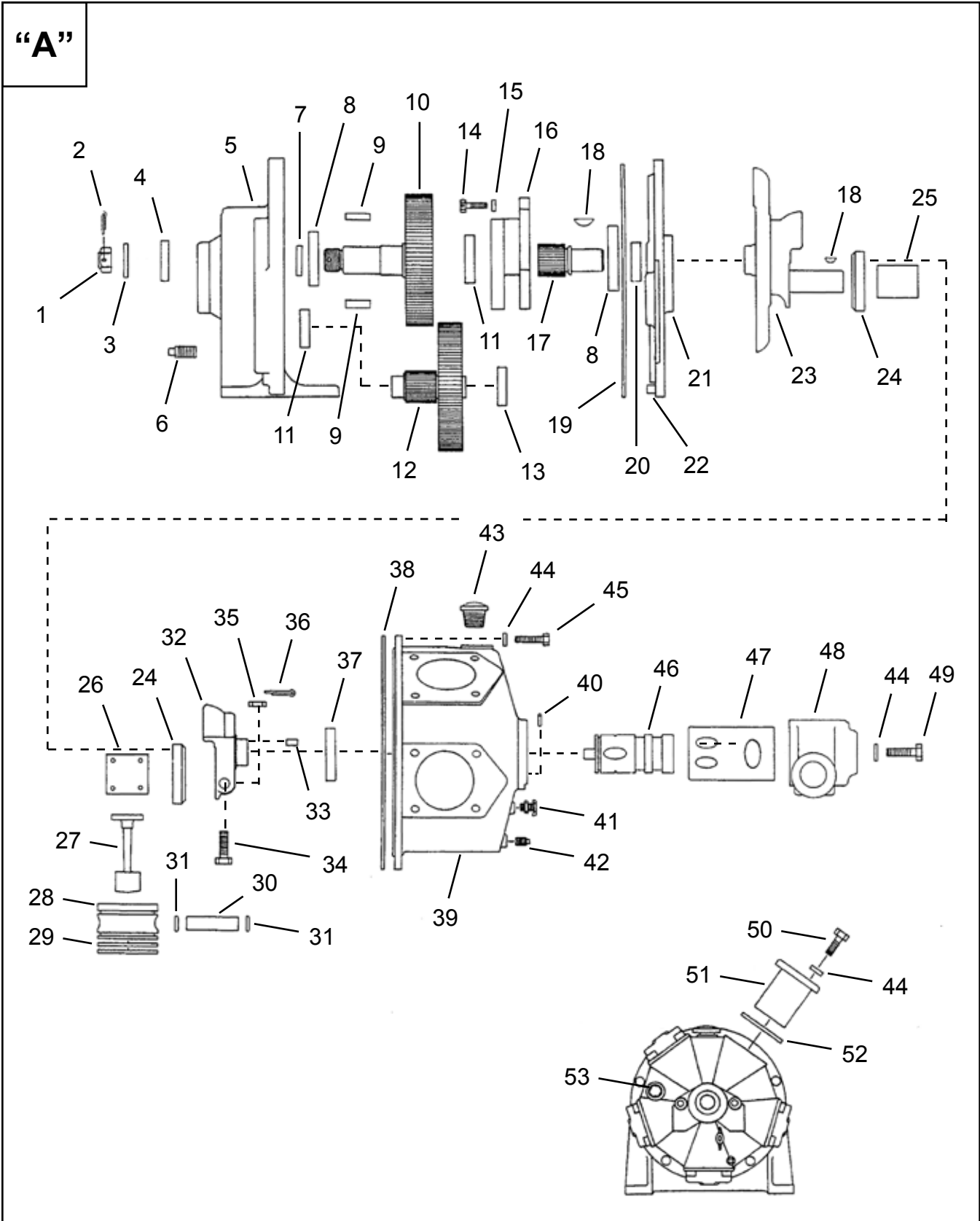


Illustration "A"

| Ref | Number | # | X | EN | |
|-----|---------|----|----|---|--|
| | | | | Description | |
| 1 | MKU52 | 1 | 3 | Hex Castle Nut | |
| 2 | 62E66 | 1 | 3 | Cotter Pin | |
| 3 | 95A11 | 1 | 3 | Flat Washer | |
| 4 | 60G115 | 1 | 3 | Oil Seal | |
| 5 | MKG1 | 1 | | Gear Housing (includes Ref. 6) | |
| 6 | B110E | 3 | | Pipe Plug | |
| 7 | MKGP40R | 1 | 3 | Wear Ring | |
| 8 | 12J37 | 2 | 4 | Ball Bearing | |
| 9 | 35B125 | 2 | 4 | Gear and Shaft Key | |
| 10 | MKG51S | 1 | | Gear and Shaft | |
| 11 | 526576 | 2 | 4 | Ball Bearing | |
| 12 | MKG38 | 1 | | Gear and Pinion | |
| 13 | 525424 | 1 | 2 | Ball Bearing | |
| 14 | 75B4 | 3 | 3 | Bearing Housing Screw | |
| 15 | W125 | 3 | 3 | Flat Washer | |
| 16 | MK39 | 1 | | Bearing Housing | |
| 17 | MKG37 | 1 | | Pinion Gear | |
| 18 | 35D13 | 2 | 6 | Woodruff Key | |
| 19 | HK25 | 1 | 3 | Bearing Housing Gasket | |
| 20 | 60G116 | 1 | 3 | Oil Seal | |
| 21 | MK20 | 1 | | Bearing Housing (includes Ref. 22) | |
| 22 | DP162 | 1 | | Pin | |
| 23 | MK30Y | 1 | | Crankshaft (Drive End) | |
| 24 | MK29 | 2 | | Connecting Rod Retainer | |
| 25 | MK33 | 1 | 1 | Crankshaft Bushing | |
| 26 | MK28 | 1 | 1 | Connecting Rod Bushing | |
| 27 | MK27 | 5 | | Connecting Rod | |
| 28 | MK24 | 5 | | Piston | |
| 29 | 65A222 | 10 | 10 | Piston Ring | |
| 30 | MK25 | 5 | | Piston Pin | |
| 31 | MK26 | 10 | | Piston Pin Retainer | |
| 32 | MK31 | 1 | | Crankshaft (Valve End) (includes Ref. 33) | |
| 33 | DP142 | 1 | | Crankshaft Pin | |
| 34 | MK32 | 1 | 1 | Crankshaft Bolt | |
| 35 | 50E5 | 1 | 1 | Hex Castle Nut | |
| 36 | P101J | 1 | 3 | Cotter Pin | |
| 37 | 12J30 | 1 | 2 | Ball Bearing | |
| 38 | MK19 | 1 | 3 | Motor Case Gasket | |
| 39 | MK18 | 1 | | Motor Case (includes Ref. 40) | |
| 40 | DP114 | 1 | | Motor Case Pin | |
| 41 | 90C12 | 2 | 4 | Drain Cock | |
| 42 | 64AA5 | 1 | | Pipe Plug | |
| 43 | 542139 | 1 | 2 | Low Profile Breather Cap | |
| 44 | 95G24 | 27 | 27 | Flat Washer | |
| 45 | B154M | 5 | 5 | Motor Case Screw | |
| 46 | MKL13 | 1 | | Distributing Valve | |
| 47 | MK11 | 1 | | Distributing Valve Bushing | |
| 48 | 533763 | 1 | | Valve Chest | |
| 49 | 75A208 | 2 | 2 | Valve Chest Screw | |
| 50 | 75A4 | 20 | 20 | Cylinder Screw | |
| 51 | MK22 | 5 | | Cylinder | |
| 52 | MK23 | 5 | 15 | Cylinder Gasket | |
| 53 | 64A5 | 1 | | Pipe Plug | |

(#) Quantity

(X) Recommended Spare Parts (quantity shown based on 1-5 tools in operation)

Sales & Service Centers

Note: All locations may not service all products. Please contact the nearest Sales & Service Center for the appropriate facility to handle your service requirements.

Dallas, TX
**Apex Tool Group
Sales & Service Center**
1470 Post & Paddock
Grand Prairie, TX 75050
Tel: 972-641-9563
Fax: 972-641-9674

Detroit, MI
**Apex Tool Group
Sales & Service Center**
2630 Superior Court
Auburn Hills, MI 48326
Tel: 248-391-3700
Fax: 248-391-7824

Houston, TX
**Apex Tool Group
Sales & Service Center**
6550 West Sam Houston
Parkway North, Suite 200
Houston, TX 77041
Tel: 713-849-2364
Fax: 713-849-2047

Lexington, SC
Apex Tool Group
670 Industrial Drive
Lexington, SC 29072
Tel: 800-845-5629
Tel: 803-951-7544
Fax: 803-358-7681

Los Angeles, CA
**Apex Tool Group
Sales & Service Center**
15503 Blackburn Avenue
Norwalk, CA 90650
Tel: 562-623-4457
Fax: 562-802-1718

Seattle, WA
**Apex Tool Group
Sales & Service Center**
2865 152nd Avenue N.E.
Redmond, WA 98052
Tel: 425-497-0476
Fax: 425-497-0496

York, PA
**Apex Tool Group
Sales & Service Center**
3990 East Market Street
York, PA 17402
Tel: 717-755-2933
Fax: 717-757-5063

Canada
**Apex Tool Group
Sales & Service Center**
5925 McLaughlin Road
Mississauga, Ont. L5R 1B8
Canada
Tel: 905-501-4785
Fax: 905-501-4786

Germany
**Apex Tool Group
GmbH & Co. OHG**
Industriestraße 1
73463 Westhausen
Germany
Tel: +49 (0) 73 63 81 0
Fax: +49 (0) 73 63 81 222

England
**Apex Tool Group
GmbH & Co. OHG**
C/O Spline Gauges
Piccadilly, Tamworth
Staffordshire B78 2ER
United Kingdom
Tel: +44 1827 8741 28
Fax: +44 1827 8741 28

France
Apex Tool Group SAS
25 rue Maurice Chevalier
77330 Ozoir-La-Ferrière
France
Tel: +33 1 6443 2200
Fax: +33 1 6443 1717

China
Cooper (China) Co., Ltd.
a company of
Apex Tool Group, LLC
955 Sheng Li Road,
Heqing Pudong, Shanghai
China 201201
Tel: +86-21-28994176
Fax: +86-21-51118446

Mexico
Cooper Tools
de México S.A. de C.V.
a company of
Apex Tool Group, LLC
Vialidad El Pueblito #103
Parque Industrial Querétaro
Querétaro, QRO 76220
Mexico
Tel: +52 (442) 211-3800
Fax: +52 (442) 103-0443

Brazil
Cooper Tools Industrial Ltda.
a company of
Apex Tool Group, LLC
Av. Liberdade, 4055
Zona Industrial - Iporanga
18087-170 Sorocaba
SP Brazil
Tel: +55 15 2383929
Fax: +55 15 2383260

Hungary
Cooper Tools Hungaria Kft.
a company of
Apex Tool Group, LLC
Berkenyefa sor 7
Pf: 640
9027 Győr
Hungary
Tel: +36 96 66 1383
Fax: +36 96 66 1135

Apex Tool Group, LLC
1000 Lufkin Road
Apex, NC 27539
Phone: 919-387-0099
Fax: 919-387-2614
www.apextoolgroup.com

Cleco®