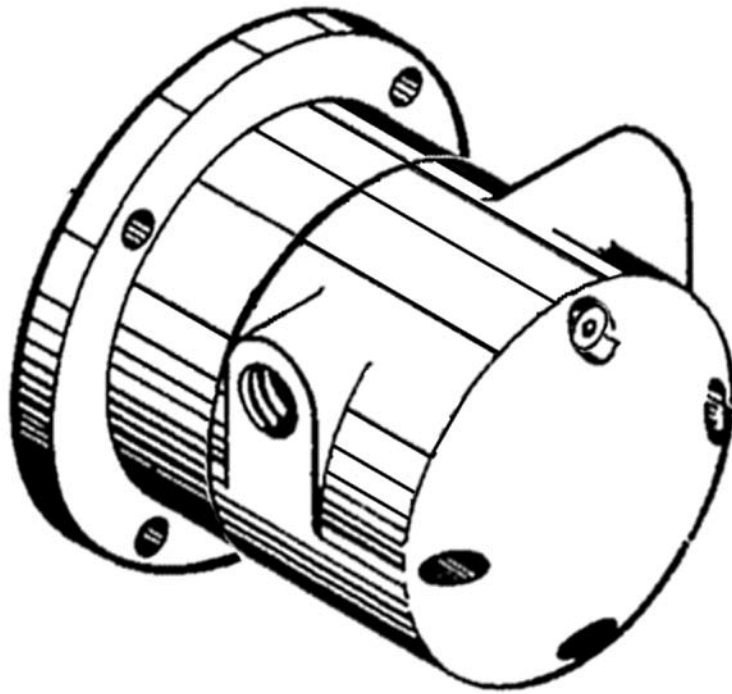


Parts Manual
PL70-1028EN
06/26/2012

Cleco®

MR30R-2243
Rotary Vane Power Motor



For additional product information visit our website at <http://www.apextoolgroup.com>



Zampini Industrial Group
AirToolPro.com
1-800-353-4676

Industrial Air & Electric Tools
We Sell Reliability!
In Business Since 1987
FREE Expert Assistance - Call Now



Zampini Industrial Group
AirToolPro.com
1-800-353-4676

Industrial Air & Electric Tools
We Sell Reliability!
In Business Since 1987
FREE Expert Assistance - Call Now

Cleco®

Specifications and Description

PL70-1028EN
06/26/2012

Specifications Table:

Model	Maximum Allowable RPM		Stall Torque		Starting Torque		Weight		Air Consumption		Gear Ratio	Max. Overhung Load @ Stall*	
	@ Max. H hp	Free Speed	ft. lbs.	Nm	ft. lbs.	Nm	lbs.	kg	cfm	m3/min		lbs.	kg
Non-Geared													
MR30R-2243	6000	11000	7.2	10	4.6	6.0	12.5	5.7	124	3.51	-----	1220	553

* Note: All models assume overhung load located at 0.625" (15.88mm) from face of motor.

Language Version:

This Parts Manual is the **“Original Instructions”** intended for all persons who will use or repair these tools.

Product Identification:

Refer to the Specifications Table.

Noise and Vibration:

Refer to documents CE-1005DC and CE-1005TD.

General Description:

The Cleco MR series motors are powered with a 4 blade rotary vane motor.

Intended Use:

These pneumatic motors are intended to be a power source for other equipment. Use only for their designated purpose. Do not use in an improper manner that can cause motor damage and operator injury.

Copyright protection:

Apex Tool Group, LLC reserves the right to modify, supplement or improve this document or the product without prior notice. This document may not be reproduced in any way, shape or form, in full or parts thereof, or copied to another natural or machine readable language or to a data carrier, whether electronic, mechanical, optical or otherwise without the express permission of Apex Tool Group, LLC.

“A”

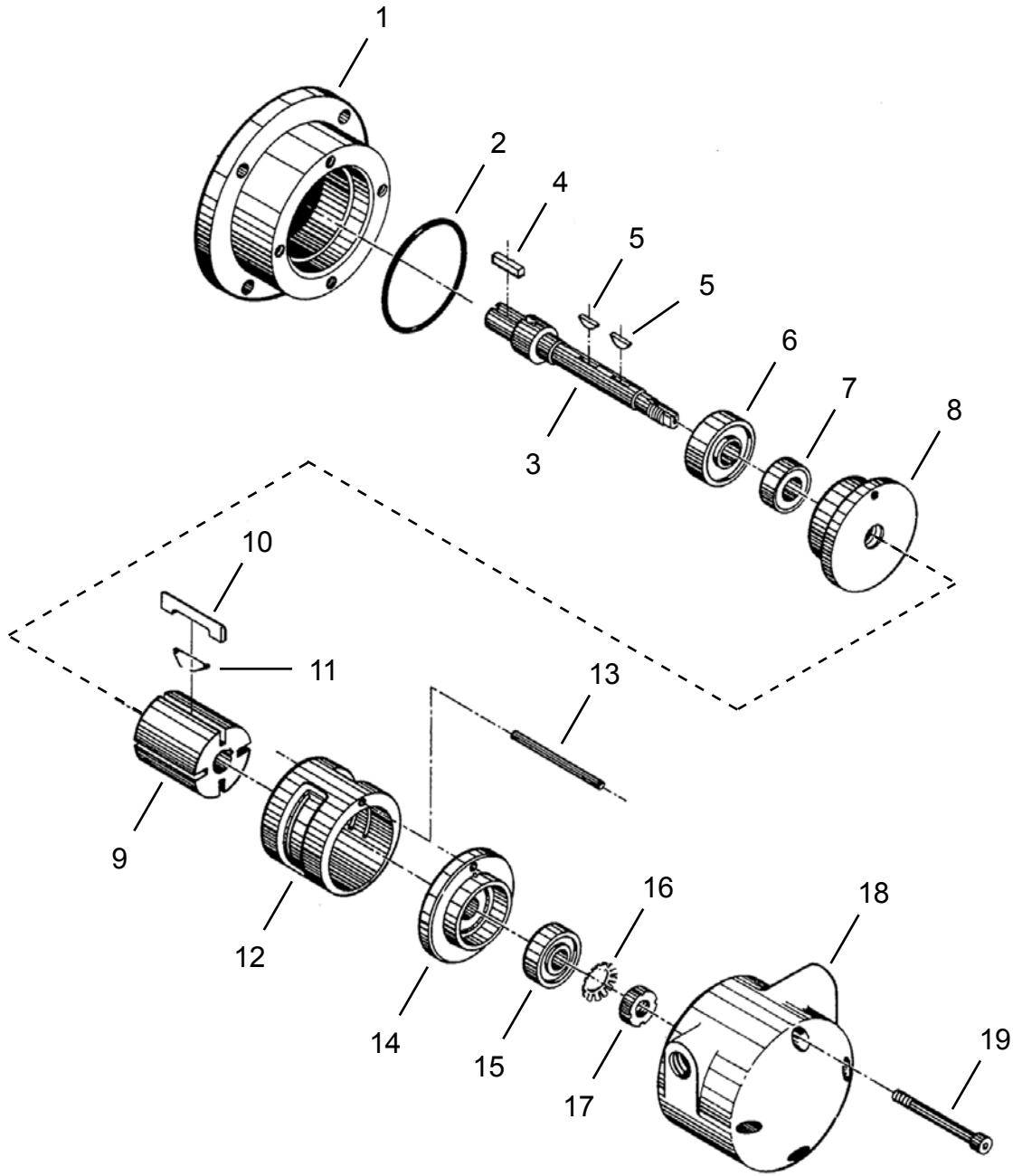


Illustration "A"

Ref	Number	#	X	EN
				Description
1	1035712	1		Flanged Motor Case
2	19075	1	3	O-Ring (Motor Case)
3	MR30A11F	1		Motor Shaft
4	20910	1	3	Key (Output)
5	MR30A11K	2	4	Key (Rotor)
6	BB127	1	2	Ball Bearing
7	0S108	1	3	Oil Seal
8	1035688	1		Front Motor Plate
9	MR30A7	1		Rotor
10	MR30A9M	4	12	Rotor Vane
11	541819	4	12	Rotor Vane Spring
12	1036721	1		Cylinder
13	MR30A6	1		Cylinder Pin
14	1035705	1		Rear Motor Plate
15	BB130	1	2	Ball Bearing
16	NDL10	1	3	Lock Washer
17	NDN8	1	1	Lock Nut
18	1034699	1		Motor Case
19	SHA49	4	4	Motor Case Screw

(#) Quantity

(X) Recommended Spare Parts (quantity shown based on 1-5 tools in operation)



Zampini Industrial Group
AirToolPro.com
1-800-353-4676

Industrial Air & Electric Tools
We Sell Reliability!
In Business Since 1987
FREE Expert Assistance - Call Now



Zampini Industrial Group
AirToolPro.com
1-800-353-4676

Industrial Air & Electric Tools
We Sell Reliability!
In Business Since 1987
FREE Expert Assistance - Call Now

Sales & Service Centers

Note: All locations may not service all products. Please contact the nearest Sales & Service Center for the appropriate facility to handle your service requirements.

Dallas, TX
**Apex Tool Group
Sales & Service Center**
1470 Post & Paddock
Grand Prairie, TX 75050
Tel: 972-641-9563
Fax: 972-641-9674

Detroit, MI
**Apex Tool Group
Sales & Service Center**
2630 Superior Court
Auburn Hills, MI 48326
Tel: 248-391-3700
Fax: 248-391-7824

Houston, TX
**Apex Tool Group
Sales & Service Center**
6550 West Sam Houston
Parkway North, Suite 200
Houston, TX 77041
Tel: 713-849-2364
Fax: 713-849-2047

Lexington, SC
Apex Tool Group
670 Industrial Drive
Lexington, SC 29072
Tel: 800-845-5629
Tel: 803-951-7544
Fax: 803-358-7681

Los Angeles, CA
**Apex Tool Group
Sales & Service Center**
15503 Blackburn Avenue
Norwalk, CA 90650
Tel: 562-623-4457
Fax: 562-802-1718

Seattle, WA
**Apex Tool Group
Sales & Service Center**
2865 152nd Avenue N.E.
Redmond, WA 98052
Tel: 425-497-0476
Fax: 425-497-0496

York, PA
**Apex Tool Group
Sales & Service Center**
3990 East Market Street
York, PA 17402
Tel: 717-755-2933
Fax: 717-757-5063

Canada
**Apex Tool Group
Sales & Service Center**
5925 McLaughlin Road
Mississauga, Ont. L5R 1B8
Canada
Tel: 905-501-4785
Fax: 905-501-4786

Germany
**Apex Tool Group
GmbH & Co. OHG**
Industriestraße 1
73463 Westhausen
Germany
Tel: +49 (0) 73 63 81 0
Fax: +49 (0) 73 63 81 222

England
**Apex Tool Group
GmbH & Co. OHG**
C/O Spline Gauges
Piccadilly, Tamworth
Staffordshire B78 2ER
United Kingdom
Tel: +44 1827 8741 28
Fax: +44 1827 8741 28

France
Apex Tool Group SAS
25 rue Maurice Chevalier
77330 Ozoir-La-Ferrière
France
Tel: +33 1 6443 2200
Fax: +33 1 6443 1717

China
Cooper (China) Co., Ltd.
a company of
Apex Tool Group, LLC
955 Sheng Li Road,
Heqing Pudong, Shanghai
China 201201
Tel: +86-21-28994176
Fax: +86-21-51118446

Mexico
Cooper Tools
de México S.A. de C.V.
a company of
Apex Tool Group, LLC
Vialidad El Pueblito #103
Parque Industrial Querétaro
Querétaro, QRO 76220
Mexico
Tel: +52 (442) 211-3800
Fax: +52 (442) 103-0443

Brazil
Cooper Tools Industrial Ltda.
a company of
Apex Tool Group, LLC
Av. Liberdade, 4055
Zona Industrial - Iporanga
18087-170 Sorocaba
SP Brazil
Tel: +55 15 2383929
Fax: +55 15 2383260

Hungary
Cooper Tools Hungaria Kft.
a company of
Apex Tool Group, LLC
Berkenyefa sor 7
Pf: 640
9027 Győr
Hungary
Tel: +36 96 66 1383
Fax: +36 96 66 1135

Apex Tool Group, LLC
1000 Lufkin Road
Apex, NC 27539
Phone: 919-387-0099
Fax: 919-387-2614
www.apextoolgroup.com

Cleco®