

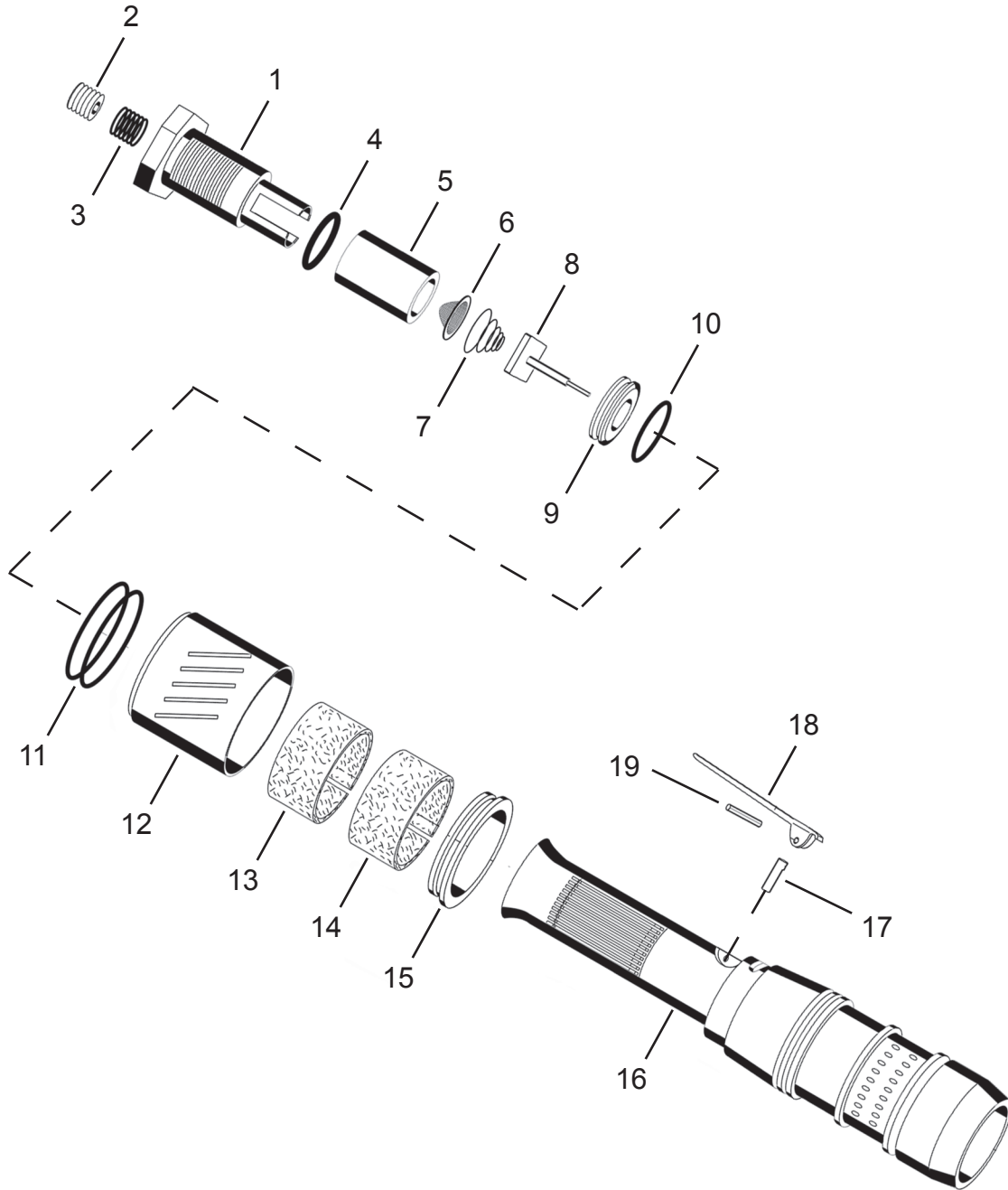


| Model | Style | RPM | Output |
|----------|----------------------|-----|-------------------|
| 55ML-2-4 | Non-Reversible Lever | 190 | 1/2" Square Drive |
| 55ML-3-4 | Non-Reversible Lever | 280 | 1/2" Square Drive |

For additional product information visit our website at <http://www.apextoolgroup.com>

“A” Handle Assembly

Models
55ML-2-4
55ML-3-4



Cleco®
55ML Series Motor

Illustration "A"

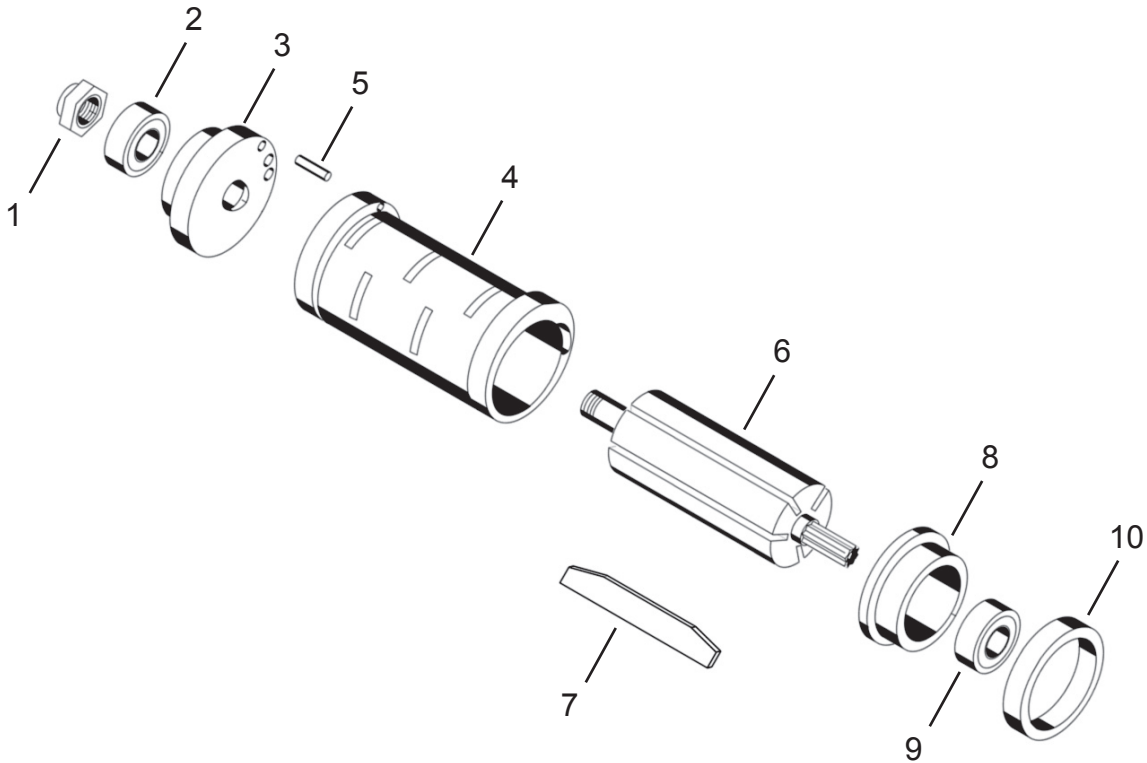
| Ref | Number | # | X | EN |
|-----|----------|---|---|-----------------------|
| | | | | Description |
| 1 | 203202PT | 1 | 2 | Inlet Bushing |
| 2 | 203203 | 1 | 2 | Metering Nut |
| 3 | 832079 | 1 | 3 | Spring |
| 4 | 622881 | 1 | 3 | O-Ring |
| 5 | 202508PT | 1 | | Inlet Spacer |
| 6 | 843656 | 1 | 3 | Air Inlet Screen |
| 7 | 864973 | 1 | 3 | Throttle Valve Spring |
| 8 | 202055PT | 1 | | Throttle Valve |
| 9 | 869931 | 1 | | Valve Seat |
| 10 | 622062 | 1 | 3 | O-Ring |
| 11 | 617754 | 2 | 6 | O-Ring |
| 12 | 202626PT | 1 | | Exhaust Deflector |
| 13 | 203109 | 1 | 3 | Muffler |
| 14 | 202632PT | 1 | 3 | Muffler |
| 15 | 202011 | 1 | | Seal Ring |
| 16 | 203110 | 1 | | Motor Housing |
| 17 | 202481PT | 1 | 2 | Throttle Valve Pin |
| 18 | 865063 | 1 | 1 | Lever |
| 19 | 864195 | 1 | 1 | Lever Pin |

(#) Quantity

(X) Recommended Spare Parts

“B” Motor Assembly

Models
55ML-2-4
55ML-3-4



Cleco®
55ML Series Motor

PL70-1005
07/29/2010

Illustration "B"

| Ref | Number | # | X | EN |
|-----|----------|---|----|----------------------------|
| | | | | Description |
| 1 | 865352 | 1 | 2 | Lock Nut |
| 2 | 843444 | 1 | 2 | Ball Bearing |
| 3 | 869572 | 1 | | Rear Bearing Plate |
| 4 | 203101PT | 1 | | Cylinder (includes Ref. 5) |
| 5 | 863887 | 1 | 2 | Cylinder Pin |
| 6 | 203102PT | 1 | | Rotor |
| 7 | 869569 | 5 | 15 | Rotor Blade |
| 8 | 867536 | 1 | | Front Bearing Plate |
| 9 | 619377 | 1 | 2 | Ball Bearing |
| 10 | 867528 | 1 | | Motor Spacer |

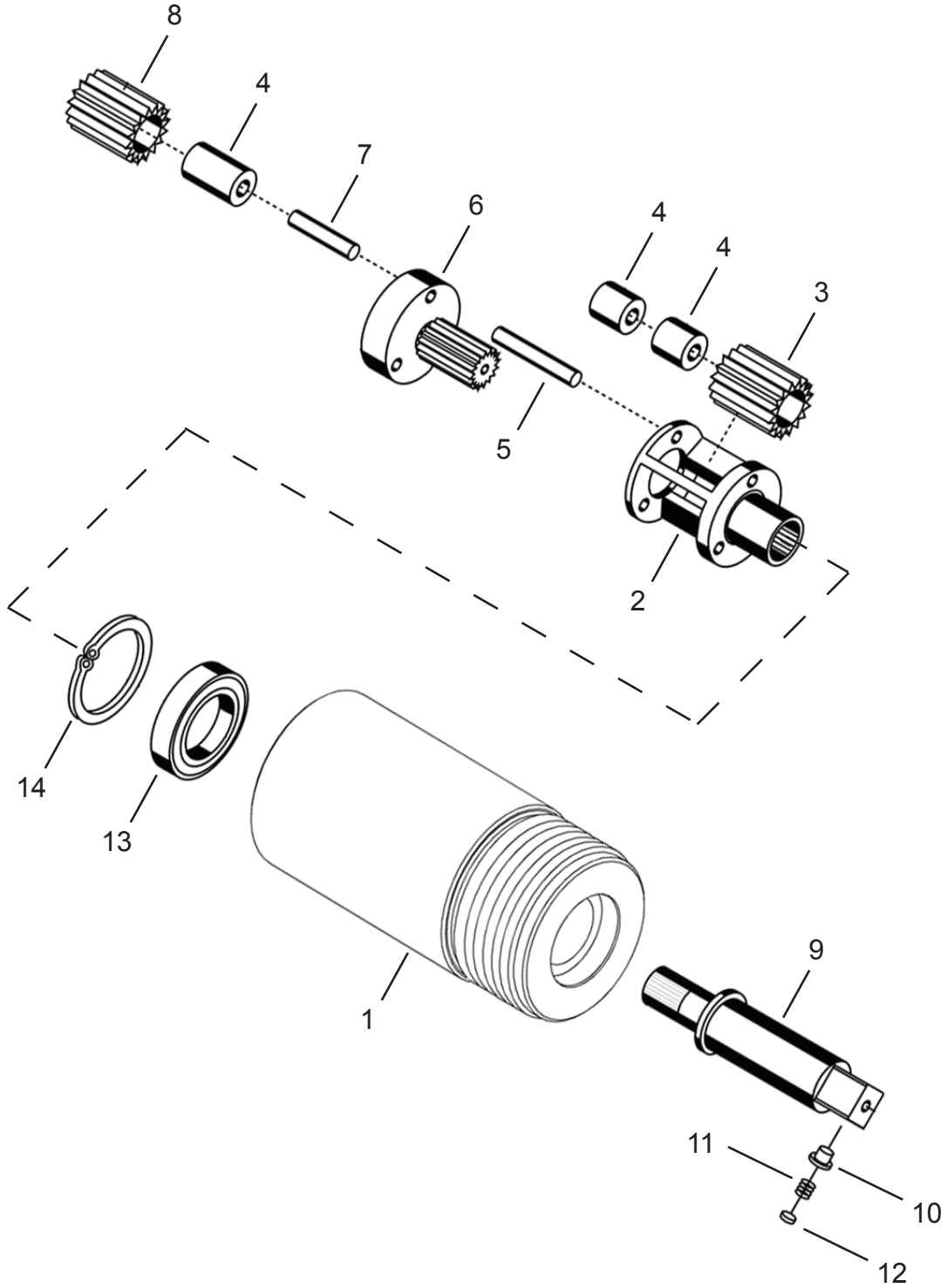
(#) Quantity

(X) Recommended Spare Parts



“C” Gearing Assembly

Model
55ML-2-4



Cleco®
55ML Series Motor

PL70-1005
07/29/2010

Illustration "C"

| Ref | Number | # | X | EN |
|-----|----------|---|----|--|
| | | | | Description |
| 1 | 207553PT | 1 | | Gear Case |
| 2 | 207520PT | 1 | | Gear Cage |
| 3 | 203106 | 3 | 6 | Idler Gear (18T) (includes 2 each Ref. 4) |
| 4 | 844774 | 9 | 18 | Needle Bearing |
| 5 | 204809 | 3 | 6 | Idler Gear Pin |
| 6 | 861525 | 1 | | Gear Cage |
| 7 | 832125 | 3 | 6 | Idler Gear Pin |
| 8 | 867526 | 3 | 6 | Idler Gear (21T) (includes 1 each Ref. 4) |
| 9 | 869756 | 1 | | 1/2" Square Drive Spindle (includes Ref. 10, 11, 12) |
| 10 | 844011 | 1 | 3 | Pin |
| 11 | 844014 | 1 | 3 | Spring |
| 12 | 844013 | 1 | 3 | Plug |
| 13 | 844773 | 1 | 2 | Ball Bearing |
| 14 | 844778 | 1 | 1 | Retaining Ring |

(#) Quantity

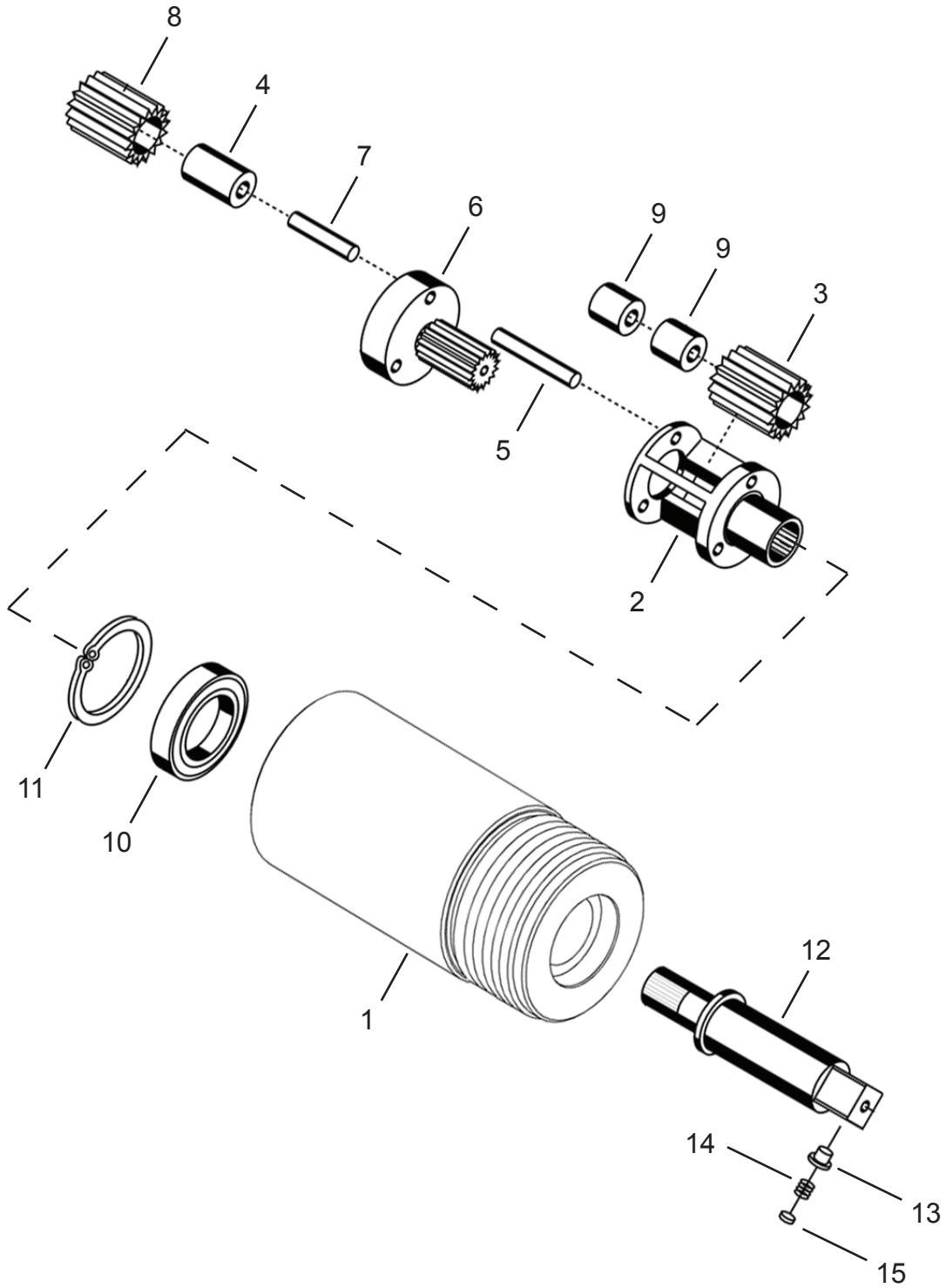
(X) Recommended Spare Parts

(T) Teeth



“D” Gearing Assembly

Model
55ML-3-4



Cleco®
55ML Series Motor

PL70-1005
07/29/2010

Illustration "D"

| Ref | Number | # | X | EN |
|-----|----------|---|----|--|
| | | | | Description |
| 1 | 207553PT | 1 | | Gear Case |
| 2 | 203337PT | 1 | | Gear Cage |
| 3 | 203107 | 3 | 6 | Idler Gear (15T) (includes 2 each Ref. 9) |
| 4 | 844774 | 3 | 6 | Needle Bearing |
| 5 | 204809 | 3 | 6 | Idler Gear Pin |
| 6 | 861485 | 1 | | Gear Cage |
| 7 | 832125 | 3 | 6 | Idler Gear Pin |
| 8 | 867526 | 3 | 6 | Idler Gear (21T) (includes 1 each Ref. 4) |
| 9 | 203062PT | 6 | 12 | Idler Gear Bushing |
| 10 | 844773 | 1 | 2 | Ball Bearing |
| 11 | 844778 | 1 | 1 | Retaining Ring |
| 12 | 869756 | 1 | | 1/2" Square Drive Spindle (includes Ref. 13, 14, 15) |
| 13 | 844011 | 1 | 3 | Pin |
| 14 | 844014 | 1 | 3 | Spring |
| 15 | 844013 | 1 | 3 | Plug |

(#) Quantity
(X) Recommended Spare Parts
(T) Teeth



Cleco®
55ML Series Motor



Cleco®
55ML Series Motor

PL70-1005
07/29/2010



Sales & Service Centers

Note: All locations may not service all products. Please contact the nearest Sales & Service Center for the appropriate facility to handle your service requirements.

Dallas, TX
**Apex Tool Group
Sales & Service Center**
1470 Post & Paddock
Grand Prairie, TX 75050
Tel: 972-641-9563
Fax: 972-641-9674

Lexington, SC
**Apex Tool Group
Sales & Service Center**
670 Industrial Drive
Lexington, SC 29072
Tel: 800-845-5629
Tel: 803-359-1200
Fax: 803-358-7681

York, PA
**Apex Tool Group
Sales & Service Center**
3990 East Market Street
York, PA 17402
Tel: 717-755-2933
Fax: 717-757-5063

Westhausen, EMEA
Apex Tool Group
Postfach 30
D-73461 Westhausen
Germany
Phone: +49 (0) 73 63/ 81-0
Fax: +49 (0) 73 63/ 81-222

Detroit, MI
**Apex Tool Group
Sales & Service Center**
2630 Superior Court
Auburn Hills, MI 48326
Tel: 248-391-3700
Fax: 248-391-7824

Los Angeles, CA
**Apex Tool Group
Sales & Service Center**
15503 Blackburn Avenue
Norwalk, CA 90650
Tel: 562-926-0810
Fax: 562-802-1718

Canada
**Apex Tool Group
Sales & Service Center**
5925 McLaughlin Road
Mississauga, Ont. L5R 1B8
Canada
Tel: 905-501-4785
Fax: 905-501-4786

Coventry, UK
Apex Tool Group
Unit G Quinn Close
Seven Stars Industrial Estate
Whitlet
Coventry CV3 4LH
UK
Phone: +44-2476-3089 60
Fax: +44-2476-3089 69

Houston, TX
**Apex Tool Group
Sales & Service Center**
6550 West Sam Houston
Parkway North, Suite 200
Houston, TX 77041
Tel: 713-849-2364
Fax: 713-849-2047

Seattle, WA
**Apex Tool Group
Sales & Service Center**
2865 152nd Avenue N.E.
Redmond, WA 98052
Tel: 425-497-0476
Fax: 425-497-0496

Apex Tool Group, LLC
1000 Lufkin Road
Apex, NC 27539
Phone: 919-387-0099
Fax: 919-387-2614
www.apextoolgroup.com

Cleco®