

Instruction Manual
45-8061EN
07/08/2013

Cleco®

21 Series Non-Geared Rotary Vane Power Motors



For additional product information visit our website at <http://www.apextoolgroup.com>



Zampini Industrial Group

AirToolPro.com

1-800-353-4676

Industrial Air & Electric Tools

We Sell Reliability!

In Business Since 1987

FREE Expert Assistance - Call Now

For this Instruction Manual

This Instruction Manual is the Original Instruction Manual intended for all persons who will operate and maintain these tools.

This Instruction Manual

- provides important notes for the safe and efficient use of these tools.
- describes the function and operation of the 21 series tools.
- serves as a reference guide for technical data, service intervals and spare parts ordering.
- provides information on optional equipment.

Identification text:

21 represents all models of the rotary vane power motor as described in this manual

→ indicates a required action

• indicates a list

<.> indicates a reference number from the exploded parts drawings

Arial indicates an important feature or instruction written in **Arial Bold**

Identification graphic:

→ indicates a directional movement

↓ indicates a function or force

Copyright protection:

Apex Tool Group, LLC reserves the right to modify, supplement or improve this document or the product without prior notice. This document may not be reproduced in any way, shape or form, in full or parts thereof, or copied to another natural or machine readable language or to a data carrier, whether electronic, mechanical, optical or otherwise without the express permission of Apex Tool Group, LLC.

Cleco®
Nomenclature

45-8061EN
07/08/2013

Rotation Direction	Housing Style	Output Speed - RPM	Exhaust
		30000	
Right	Round	21-1900	Side
Right	Round	21-1940	Rear
Right	Flange and Base Mounting	-----	Side
Right	Flange and Base Mounting	21M1940	Rear
Left *	Round	21D1900-49	Side
Left *	Round	21D1940-49	Rear
Left *	Flange and Base Mounting	-----	Side
Left *	Flange and Base Mounting	21V1940-49	Rear

* Note: Left hand rotation (not reversible)

1	Safety	6
1.1	Warning and notes.....	6
1.2	Basic requirements for safe working practices	6
1.3	Operator training.....	7
1.4	Personal protective equipment	7
1.5	Designated use.....	7
1.6	Codes and standards	7
1.7	Noise and vibration.....	7
2	Scope of supply, transport and storage	8
2.1	Items supplied	8
2.2	Transport	8
2.3	Storage.....	8
3	Product description	8
3.1	General description	8
3.2	Operation and functional elements.....	8
4	Accessories	9
5	Before initial operation	10
5.1	Ambient conditions	10
5.2	Air supply.....	10
5.3	Connecting the air supply to the tool	10
5.4	Tool set up	10
6	First operation	11
6.1	Putting into use.....	11
7	Troubleshooting	11
8	Maintenance	12
8.1	Service schedule	12
8.2	Lubricants	12
9	Repair instructions	13

10	Spare parts	14
10.1	21 Series - Side Exhaust	14
10.2	21 Series - Rear Exhaust	16
11	Technical data	18
11.1	21 Series Specifications	18
12	Service	19
12.1	Replacement parts	19
12.2	Tool repairs	19
12.3	Warranty repairs	19
13	Disposal	19

1 Safety

1.1 Warnings and notes

Warning notes are identified by a signal word and a pictogram.

- The signal word indicates the severity and probability of the impending danger.
- The pictogram indicates the type of danger.

WARNING!



WARNING identifies a potentially **hazardous** situation which, if not avoided, may result in serious injury.

CAUTION!



CAUTION identifies a potentially **hazardous** situation which, if not avoided, may result in minor or moderate injury or property and environmental damage.

NOTE



NOTE identifies general information which may include application tips or useful information but no hazardous situations.



Important information that must be read and understood by all personnel installing, operating or maintaining this equipment.

1.2 Basic requirements for safe working practices



All personnel involved with the installation, operation or maintenance of these tools must read and understand all safety instructions contained in this manual. Failure to comply with these instructions could result in serious injury or property damage.

These safety instructions are not intended to be all inclusive. Study and comply with all applicable National, State and Local regulations.

Work Area:

CAUTION!



- Ensure there is enough space in the work area.
- Keep the work area clean.
- Keep the work area well ventilated.

Personnel Safety:

- Inspect the air supply hoses and fittings. Do not use damaged, frayed or deteriorated hoses.
- Make sure the air supply hose is securely attached to the tool.
- Install adequate guards for all moving parts of the power motor or it's application.

Safety working with and around power motors:

- Make sure the motor is securely mounted to the application.
- Make sure the output spindle is fully engaged with the application.
- Disconnect the air supply before servicing the motor

1.3 Operator training

All personnel must be properly trained before operating the 21 series tools. The 21 series tools are to be repaired by fully trained personnel only.

1.4 Personal protective equipment



When working

- Wear eye protection to protect against flying metal splinters.
- Wear hearing protection

Danger of injury by being caught by moving equipment.



- Wear a hair net
- Do not wear close fitting clothing
- Do not wear jewelry

1.5 Designated use

The 21 series are designed exclusively as a power source to be integrated into an application.

- Do not modify the 21 series, any guard or accessory.
- Use only with accessory parts which are approved by the manufacturer.
- Do not use in any improper manner that can cause damage to the motor.

1.6 Codes and standards

It is mandatory that all national, state and local codes and standards be followed.

1.7 Noise and vibration

No data available on this equipment.

2 Scope of supply, transport and storage

2.1 Items supplied

Check shipment for transit damage and ensure that all items have been supplied:

- 1 21 series motor
- 1 45-8061EN instruction manual
- 1 Declaration of Conformity (if applicable)
- 1 Lubrication sheet
- 1 Warranty statement

2.2 Transport

Transport and store the 21 series in the original packaging. The packaging is recyclable.

2.3 Storage

For short term storage (less than 2 hours) and protection against damage:

→ Secure the 21 series to avoid accidental startup.

For storage longer than 2 hours:

→ Disconnect the air supply from the 21 series

Object	Time Period	Storage Temperature
21 Series without air supply	No guideline	-13°F to 104°F (-25°C to 40°C)

3 Product description

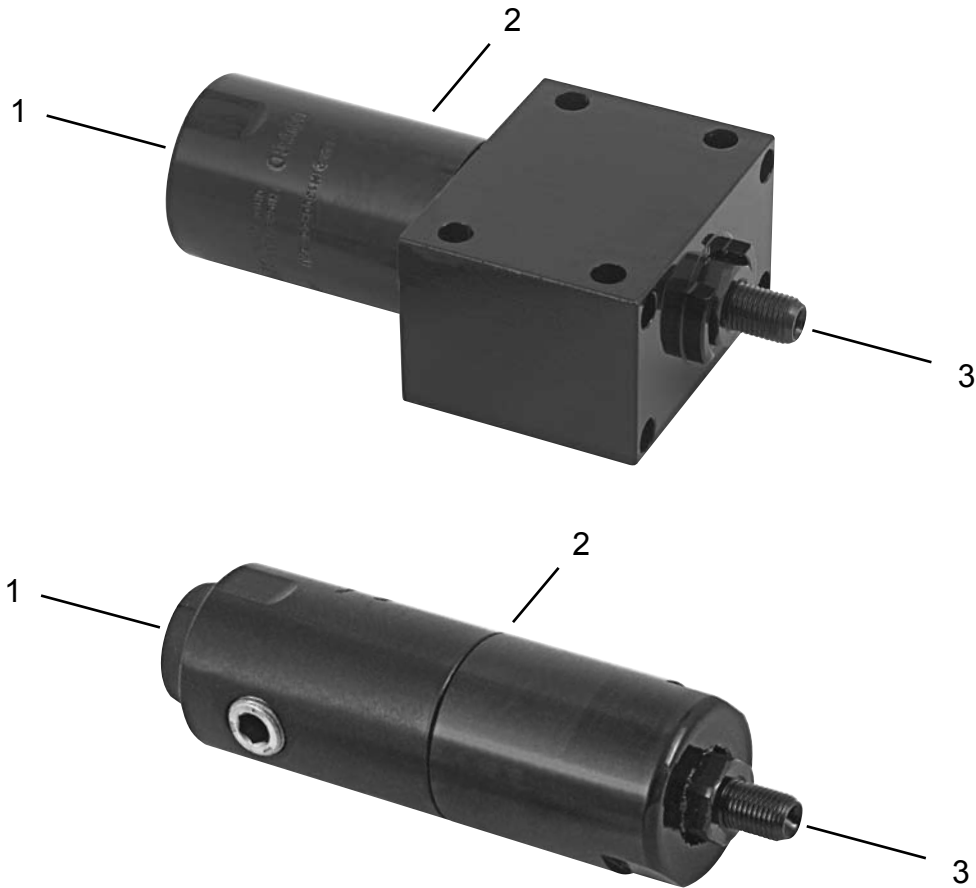
3.1 General description

- Pneumatic powered rotary vane power motor
- 0.3 Horsepower
- Double geared
- Round housing or Flange and Base mounting options

3.2 Operation and functional elements

This section describes the operational and functional elements of the 21 series.

3.2 Operation and functional elements (continued)



Ref.	Description
1	Air Inlet
2	Motor Assembly
3	Output Spindle

4 Accessories

None listed

5 Before initial operation

5.1 Ambient conditions

Ambient temperature: 41°F (5°C) to a maximum of 104°F (40°C)

Acceptable relative humidity: 25% to 90%, non-condensing

5.2 Air supply

Parameter	Description
Air Hose	Air inlet: 1/4" (6,4 mm) 5/16" I.D. Air Hose: Maximum length run of 10.0' (3 m) 3/8" I.D. Air Hose: Runs over 10.0' (3 m)
Working pressure range	60 to 100 psi (414 to 689 kPa) Recommended: 90 psi (620 kPa)
Compressed air	Air quality according to ISO 8573-1, quality class 2.4.3 The compressed air must be clean and dry.



To attain consistent results, maintain a constant working pressure using a suitable air line unit consisting of a filter, lubricator and regulator.

- The inside diameter of the air hose must be free of residue, clean if necessary.
- If a line lubricator is used, it should be filled daily

5.3 Connecting the air supply to the tool

The air hose can disconnect from the motor by itself and whip around uncontrollably.

WARNING!



- Turn off the compressed air before connecting to the motor.
- Securely connect the air hose to the motor.
- Turn on the compressed air.

5.4 Tool set up

The motor must be configured for the application.

6 First operation

6.1 Putting into use

The 21 series are rotary vane type motors. All motors feature durable construction with precision heavy-duty bearings throughout, and multiple blade rotors for smooth power. These motors require air line lubrication for long, trouble-free service. The 21 series motors perform satisfactorily in high temperature areas up to 200°F (93°C).

- Make sure the air line is clean and free of scale and dirt before connecting to the motor.
- Make sure all pipe fittings are securely tightened to prevent air leaks.
- Make sure the air supply is securely attached and the compressor is turned on.
- Make sure the output spindle is properly engaged with the application.
- Make sure all necessary guards are in place to protect operator from rotating mechanisms.

If an excessive amount of water is found in the air line, a water trap should be installed to trap as much as possible before it reaches the 21 series motor.

7 Troubleshooting

Malfunction	Possible causes	Remedy
Tool does not start	Improper air supply	→ Make sure there is adequate air pressure at the tool air inlet
	Motor dry from lack of lubrication	→ Check airline lubricator for proper function
	Broken gears	→ Tool disassembly required (parts replacement)
Tool runs slow and lacks torque	Improper air supply	→ Make sure there is adequate air pressure at the tool air inlet
	Motor dry from lack of lubrication	→ Check airline lubricator for proper function

8 Maintenance

CAUTION!



Danger of injury from accidental start up.
Turn off the compressed air before performing any maintenance.

8.1 Service schedule

Only qualified and trained personnel are permitted to perform maintenance on these motors.

Regular maintenance reduces operating faults, repair costs and downtime. In addition to the following service schedule, implement a safety related maintenance program that takes the local regulations for repair and maintenance for all operating phases of the motor into account.

Maintenance Interval	Designation
Daily	<ul style="list-style-type: none"> → Visual inspection of air supply hose and connections → Inspect airline filter, regulator and lubricator for proper operation → Check the tool for excessive vibration or unusual noises → Visual inspection of all external components of the tool
Weekly	<ul style="list-style-type: none"> → Inspect the air hose for damage or wear → inspect the output spindle for damage or wear → Inspect the airline lubrication for proper function

8.2 Lubricants

For proper function and long service life, use of the correct lubricant is essential.

Oil identification

Use a light air tool oil, Cleco part number 500021. This oil is available from Apex Tool Group in the following quantities:

533484: 1 pint

533485: 1 gallon

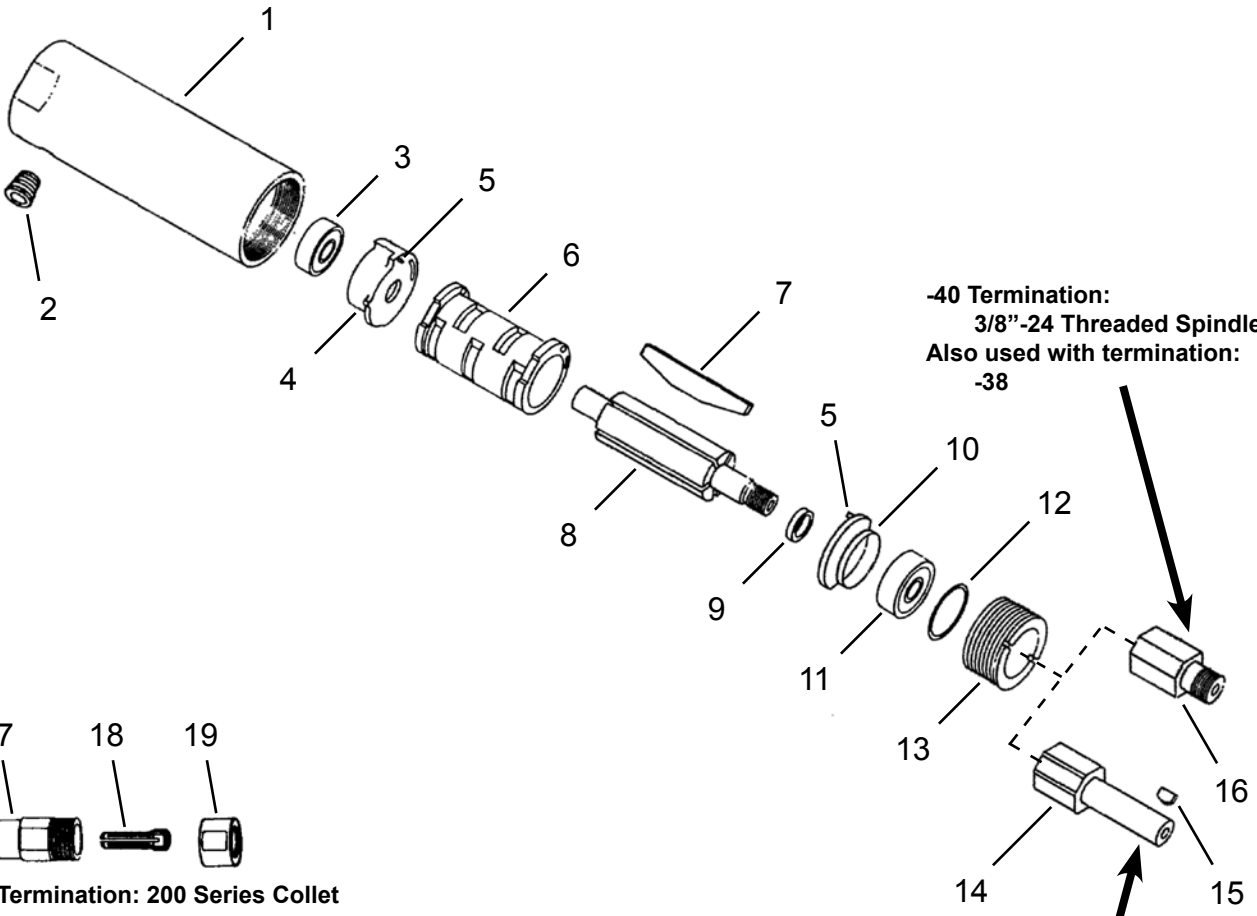
DO NOT SUBSITUTE LUBRICANTS!

9 Repair instructions



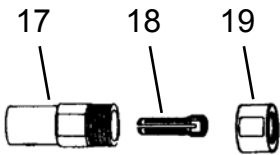
10.1 21 Series - Side Exhaust Models

Models
21-1900(--)
21D1900-49

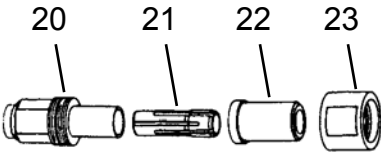


-40 Termination:
3/8"-24 Threaded Spindle
Also used with termination:
-38

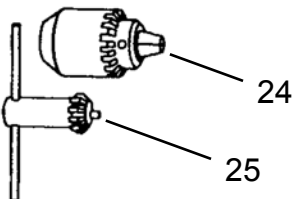
-49 Termination:
3/8" Diameter Keyed Spindle



-01 Termination: 200 Series Collet



-36 Termination: 300 Series Collet



-38 Termination: 1/4" Capacity Drill Chuck

10.1 21 Series Side Exhaust Motors

Ref	Number	#	X	EN
				Description
1	1180	1		Motor Housing
2	2957	1	2	Pipe Plug (1/4-18 NPTF)
3	504PT	1	2	Ball Bearing
4	Table 10.1	1		Bearing Plate (includes 1 Ref. 5)
5	1041	1	2	Pin
6	1002PT	1		Cylinder
7	1006PT	4	8	Rotor Blade
8	1005S	1		Rotor
9	1017PT	1		Rotor Spacer
10	Table 10.1	1		Bearing Plate (includes 1 Ref. 5)
11	538PT	1	2	Ball Bearing
12	1355PT	1	2	Shim Packet
13	1091H	1		Lock Ring
14	02-1212	1		Output Adapter (-49 Termination)
15	1920PT	1	2	Woodruff Key (-49 Termination)
16	02-1211	1		Output Adapter (-40 Termination)
Termination 01				
17	02-7154	1	2	Collet Chuck Body
18	208	1	2	1/4" Collet
19	2058PT	1	2	Collet Cap
--	14-0809	1	2	Wrench (9/16") (not shown)
--	14-0812	1	2	Wrench (3/4") (not shown)
Termination 36				
20	1054PT	1	2	Collet Chuck Body
21	308PT	1	2	1/4" Collet
22	1053PT	1	2	Nosepiece
23	1058PT	1	2	Collet Cap
--	14-0807	1	2	Wrench (7/16") (not shown)
--	14-0811	1	2	Wrench (11/16") (not shown)
Termination 38				
24	14-1485	1	1	1/4" Chuck
25	621PT	1	2	Chuck Key
Termination 40				
--	14-0810	1	2	Wrench (5/8") (not shown)

(#) Quantity

(X) Recommended Spare Parts (quantity shown based on 1-5 tools in operation)

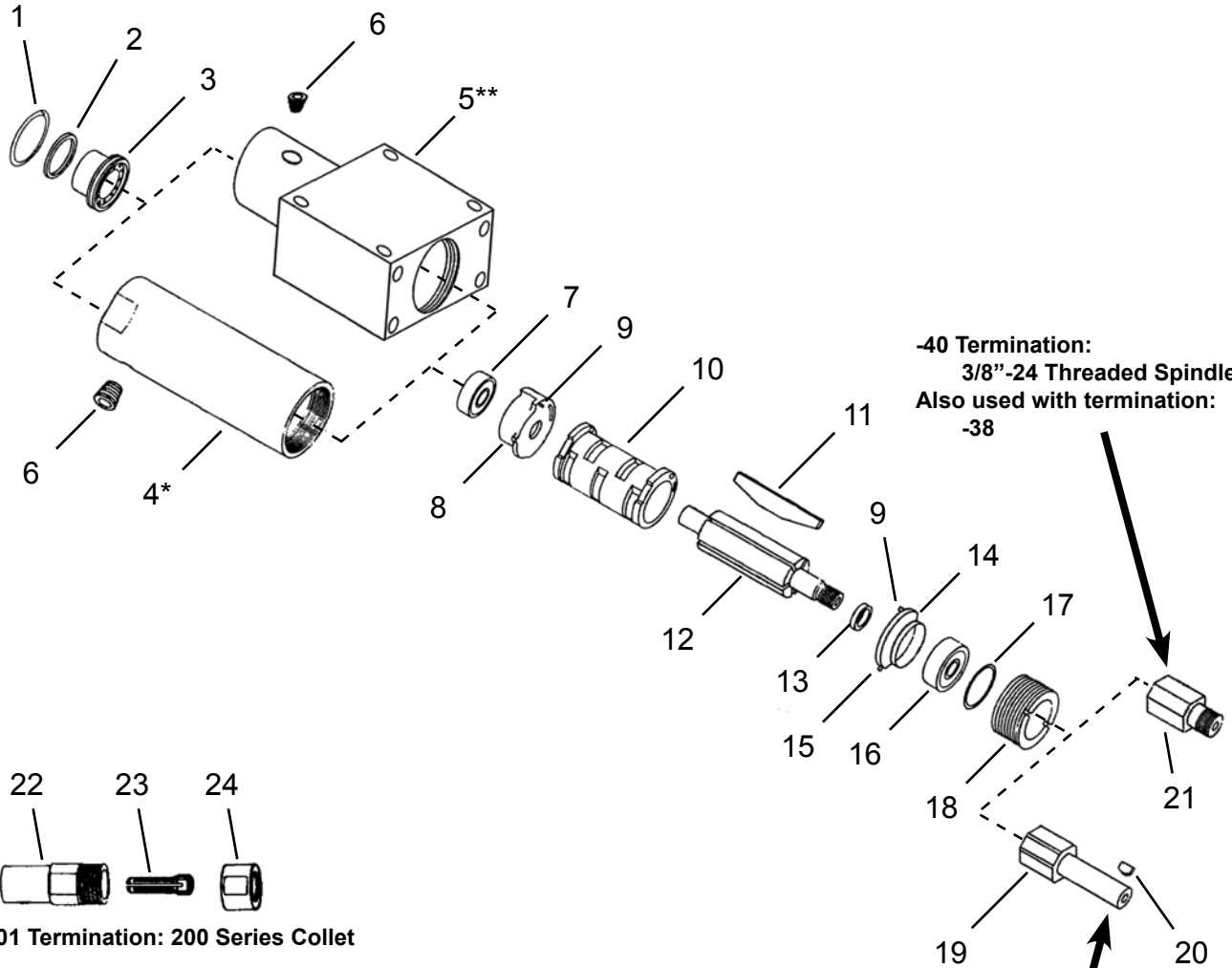
Table 10.1

Ref.	Description	#	21-1900	#	21D1900
4	Bearing Plate	1	1003PT	1	2157PT
10	Bearing Plate	1	1004PT	1	2158PT

10.2 21 Series - Rear Exhaust Models

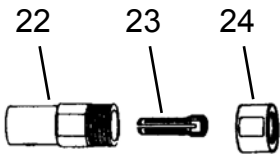
Models

- 21-1940(--)
- 21D1940-49
- 21M1940(--)
- 21V1940-49

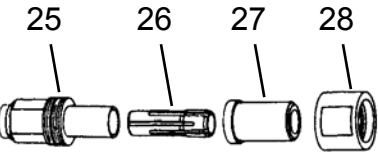


-40 Termination:
3/8"-24 Threaded Spindle
Also used with termination:
-38

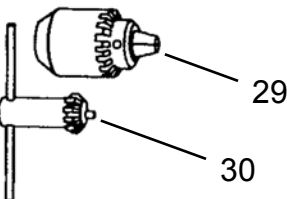
-49 Termination:
3/8" Diameter Keyed Spindle



-01 Termination: 200 Series Collet



-36 Termination: 300 Series Collet



-38 Termination: 1/4" Capacity Drill Chuck

*** Note:**

- 21-1940
- 21D1940-49

**** Note:**

- 21M1940
- 21V1940-49

10.2 21 Series Rear Exhaust Motors

Ref	Number	#	X	EN
				Description
1	2690PT	1	3	Retaining Ring
2	1838PT	1	3	O-Ring
3	2685	1	2	Muffler
4	1179PT	1		Round Housing
5	8036PT	1		Flange and Base Mounting Housing
6	2957	1	2	Pipe Plug (1/4-18 NPTF)
7	504PT	1	2	Ball Bearing
8	Table 10.2	1		Bearing Plate (includes 1 Ref. 9)
9	1041	2	4	Pin
10	1002PT	1		Cylinder
11	1006PT	4	8	Rotor Blade
12	1005S	1		Rotor
13	1017PT	1		Rotor Spacer
14	Table 10.2	1		Bearing Plate (includes 1 Ref. 9 and 15)
15	2964	1	2	Pin
16	538PT	1	2	Ball Bearing
17	1355PT	1	2	Shim Packet
18	1091H	1		Lock Ring
19	02-1212	1		Output Adapter (-49 Termination)
20	1920PT	1	2	Woodruff Key (-49 Termination)
21	02-1211	1		Output Adapter (-40 Termination)
Termination 01				
22	02-7154	1	2	Collet Chuck Body
23	208	1	2	1/4" Collet
24	2058PT	1	2	Collet Cap
--	14-0809	1	2	Wrench (9/16") (not shown)
--	14-0812	1	2	Wrench (3/4") (not shown)
Termination 36				
25	1054PT	1	2	Collet Chuck Body
26	308PT	1	2	1/4" Collet
27	1053PT	1	2	Nosepiece
28	1058PT	1	2	Collet Cap
--	14-0807	1	2	Wrench (7/16") (not shown)
--	14-0811	1	2	Wrench (11/16") (not shown)
Termination 38				
29	14-1485	1	1	1/4" Chuck
30	621PT	1	2	Chuck Key
Termination 40				
--	14-0810	1	2	Wrench (5/8") (not shown)

(#) Quantity

(X) Recommended Spare Parts (quantity shown based on 1-5 tools in operation)

Table 10.2

Ref.	Description	#	21-1940 21M1940	#	21D1940 21V1940
8	Bearing Plate	1	1866PT	1	02-1209
14	Bearing Plate	1	1867PT	1	1261

Cleco®
21 Series Rotary Vane Motors

11 Technical data

11.1 21 Series Specifications

Model Number	Maximum Allowable RPM		Stall Torque		Weight		Overall Length		Air Consumption		Gear Ratio	Exhaust
	@ Max. HP	Free Speed	ft. lbs.	Nm	lbs.	kg	in.	mm	cfm	m3/min		
Round Housing - Right Hand Rotation - See Termination Options												
21-1900	15000	30000	0.2	0.27	1.3	0.59	3.00	76	12	0.34	-----	Side
21-1940	15000	30000	0.2	0.27	1.2	0.54	3.00	76	12	0.34	-----	Rear
Round Housing - Left Hand Rotation - 3/8" Diameter Keyed Spindle (only)												
21D1900-49	15000	30000	0.2	0.27	1.3	0.59	3.00	76	12	0.34	-----	Side
21D1940-49	15000	30000	0.2	0.27	1.2	0.54	3.00	76	12	0.34	-----	Rear
Flange and Base Mounting - Right Hand Rotation - See Termination Options												
21M1940	15000	32000	0.2	0.27	2.1	0.95	3.00	76	12	0.34	-----	Rear
Flange and Base Mounting - Left Hand Rotation - 3/8" Diameter Keyed Spindle (only)												
21V1940-49	15000	32000	0.2	0.27	2.1	0.95	3.00	76	12	0.34	-----	Rear

Termination Options for Right Hand Rotation Models:

- 01 Series 200 Collet Chuck (for milling and routing)
- 36 Series 300 Collet Chuck (for milling and routing)
- 38 0"-1/4" Capacity Drill Chuck
- 40 3/8"-24 Threaded Spindle
- 49 3/8" Diameter Keyed Spindle



12 Service

12.1 Replacement parts

NOTE



Use only original Cleco replacement parts. Failure to comply can result in reduced power and increased service requirements. The tool warranty may be voided if replacement parts are not manufactured or approved by Apex Tool Group.

12.2 Tool repairs

Only qualified and trained personnel are to repair this equipment.

12.3 Warranty repairs

All warranty repairs are to be performed by an authorized Apex Tool Group service center. Contact your local representative for assistance with warranty repair claims.

13 Disposal

CAUTION!

Injuries and environmental damage from improper disposal.



Components and auxiliary materials of the tool pose risks to health and the environment.

- Capture auxiliary materials (oils, greases) when drained and dispose of them properly.
- Separate the packaging components and dispose of them properly.
- Comply with all applicable local regulations.



Observe local disposal guidelines for all components of this tool and its packaging.

Sales & Service Centers

Note: All locations may not service all products. Please contact the nearest Sales & Service Center for the appropriate facility to handle your service requirements.

Detroit, Michigan

**Apex Tool Group
Sales & Service Center**
2630 Superior Court
Auburn Hills, MI 48326
Tel: (248) 393-5640
Fax: (248) 391-6295

Houston, Texas

**Apex Tool Group
Sales & Service Center**
6550 West Sam Houston
Parkway North, Suite 200
Houston, TX 77041
Tel: (713) 849-2364
Fax: (713) 849-2047

Lexington, South Carolina

Apex Tool Group
670 Industrial Drive
Lexington, SC 29072
Tel: (800) 845-5629
Tel: (803) 951-7544
Fax: (803) 358-7681

Los Angeles, California

**Apex Tool Group
Sales & Service Center**
6881 Stanton Avenue
Unit B
Buena Park, CA 90621
Tel: (714) 994-1491
Fax: (714) 994-9576

Seattle, Washington

**Apex Tool Group
Sales & Service Center**
2865 152nd Avenue N.E.
Redmond, WA 98052
Tel: (425) 497-0476
Fax: (425) 497-0496

York, Pennsylvania

**Apex Tool Group
Sales & Service Center**
3990 East Market Street
York, PA 17402
Tel: (717) 755-2933
Fax: (717) 757-5063

Brazil

**Apex Tool Group
Sales & Service Center**
Av. Liberdade, 4055
Zona Industrial - Iporanga
18087-170 Sorocaba
SP Brazil
Tel: +55 15 2383929
Fax: +55 15 2383260

Canada

**Apex Tool Group
Sales & Service Center**
7631 Bath Road
Mississauga, Ont. L4T
3T1
Canada
Tel: (866) 691-6212
Tel: (905) 673-4400

China

Cooper (China) Co., Ltd.
an Apex Tool Group, LLC
company
955 Sheng Li Road,
Heqing Pudong, Shanghai
China 201201
Tel: +86-21-28994176
Fax: +86-21-51118446

England

**Apex Tool Group
GmbH & Co. OHG**
C/O Spline Gauges
Piccadilly, Tamworth
Staffordshire B78 2ER
United Kingdom
Tel: +44 1827 8741 28
Fax: +44 1827 8741 28

France

Apex Tool Group S.N.C.
25 rue Maurice Chevalier
B.P. 28
77831 Ozoir-La-Ferrière
Cedex, France
Tel: +33 1 64 43 22 00
Fax: +33 1 64 43 17 17

Germany

**Apex Tool Group
GmbH & Co. OHG**
Industriestraße 1
73463 Westhausen
Germany
Tel: +49 (0) 73 63 81 0
Fax: +49 (0) 73 63 81 222

Hungary

**Apex Tool Group
Hungaria Kft**
Platánfa u.2
9027 Győr
Hungary
Tel: +36 96 66 1383
Fax: +36 96 66 1135

India

**Apex Power Tools India
Private Limited**
Gala No. 1, Plot No. 5
S. No. 234, 235 & 245
Indialand Global
Industrial Park
Taluka-Mulsi, Phase I
Hinjawadi, Pune 411057
Maharashtra, India

Mexico

**Apex Tool Group México
S. de R.L. de C.V.**
Vialidad El Pueblito #103
Parque Industrial Querétaro
Querétaro, QRO 76220
Mexico
Tel: +52 (442) 211-3800
Fax: +52 (442) 103-0443

Apex Tool Group, LLC
1000 Lufkin Road
Apex, NC 27539
Phone: 919-387-0099
Fax: 919-387-2614
www.apextoolgroup.com

Cleco®