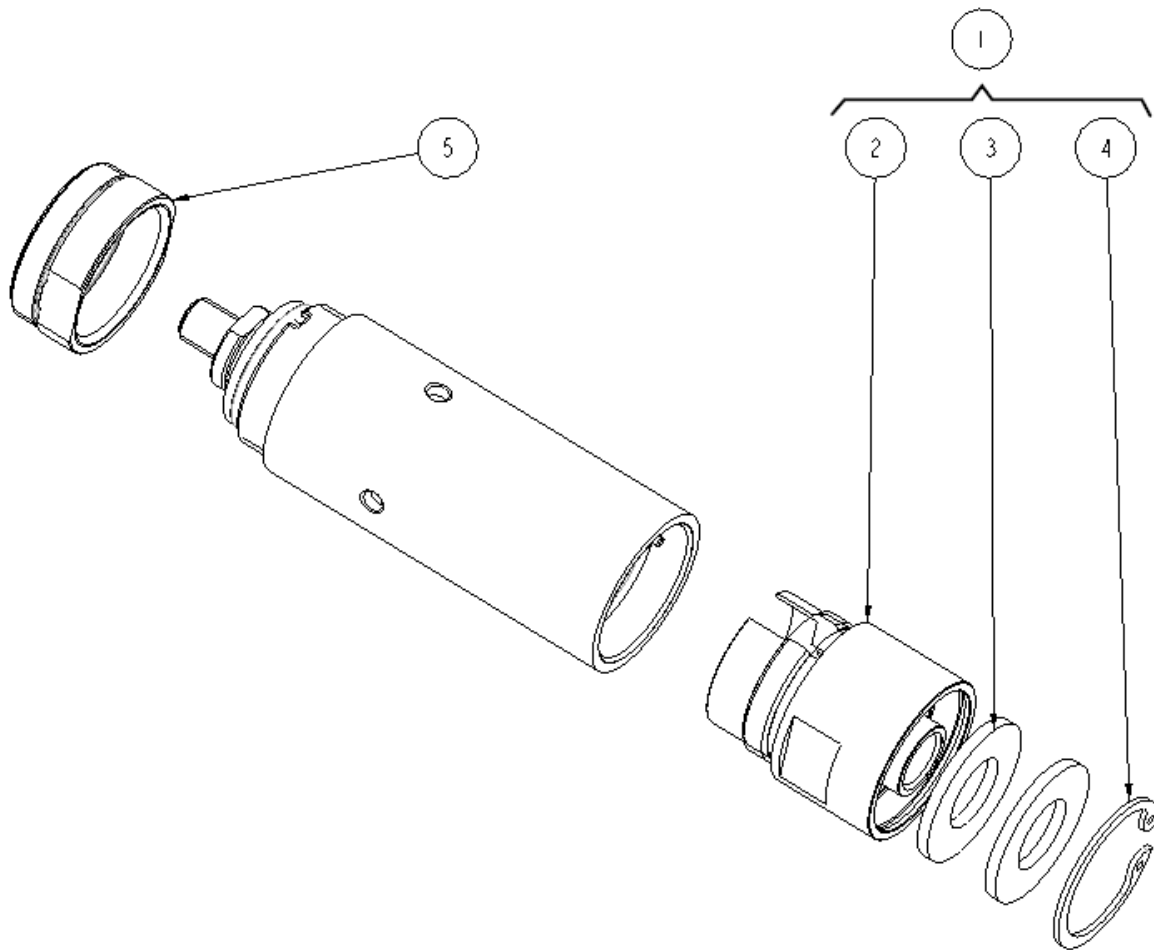




| | |
|--|--|
| 2051479984 : M2501-1080-TL 2051479974 : M2501-3500-TL | |
|--|--|

SUBJECT: Special Air Motor M2501 (concentric exhaust)

Exploded view:



| Item | P/N | Designation | Qty |
|------|------------|----------------------|-----|
| 1 | 2050550233 | CONTROL TOP COMPLETE | 1 |
| 2 | 2050550213 | CONTROL TOP | 1 |
| 3 | 2050550223 | SILENCER | 2 |
| 4 | 113173 | RING | 1 |
| 5 | 2050550243 | FRONT NUT | 1 |

For all technical datas related to these air motors, refer to the service sheet 2050538683 (M25-1080-TL) and 2050538663 (M25-3500-TL).